

B O D Y

	Page
Description	1 - 1
Front Body	1 - 2
Hood & Hood Lock	1 - 2
Front Fender	1 - 4
Lower Shroud Panel	1 - 4
Rear Body (see also Supplement)	1 - 5
Luggage Compartment Door & Door Lock	1 - 6
Door (see also Supplement)	1 - 7
Door Window Regulator (see also Supplement)	1 -10
Door Window Glass & Ventilating Window Glass (see also Supplement)	1 -11
Door Weatherstrip	1 -15
Door Window Glass Weatherstrip	1 -15
Door Lock (see also Supplement)	1 -16
Door Lock Striker	1 -19
Door Outside Handle	1 -19
Door Lock Cylinder	1 -20
Door Lock Remote Control (see also Supplement)	1 -20
Quarter Window	1 -21
Front Windshield Glass	1 -22
Back Window Glass	1 -23
Weatherstrip	1 -24
Body Interior	1 -25
Roof Headlining	1 -26
Cowl Side Trim Board	1 -28
Dash Panel Trim Board	1 -28
Quarter Trim Panel	1 -29
Package Tray Trim Panel	1 -30
Cowl Ventilator	1 -30
Front Seat	1 -31
Rear Seat	1 -32
Seats (Full Reclining Type)	1 -32
Front Seat (Full Reclining)	1 -33
Rear Seat	1 -34
Body Exterior (see also Supplement)	1 -35
Fender Side Moulding	1 -36
Roof Drip Side Finish Moulding	1 -36
Windshield Outside Moulding	1 -36
Front Bumper	1 -37
Rear Bumper	1 -37
Front Fender Apron & Floor Panel	1 -38
Roof Panel & Side Panel	1 -39
Under Body Dimensioned Diagram	1 -41
Fender Apron Dimensioned Diagram	1 -42
Front Suspension Cross Member Dimensioned Diagram	1 -43
Main Body Welding	1 -44

	Page
Toyota Corolla 4 Door Sedan	1 -45
Rear Door	1 -46
Rear Window Regulator (see also Supplement)	1 -47
Rear Door Glass & Quarter Window Glass	1 -48
Door Glass Weatherstrip	1 -50
Door Lock	1 -51
Door Lock Remote Control (see also Supplement)	1 -52
Door Outside Handle	1 -52
Door & Door Hinge	1 -53
Back Door	1 -54
Back Door Side Stopper	1 -55
Back Door Lock	1 -56
Back Door Glass	1 -56
Quarter Window	1 -58
Front Quarter Window Glass	1 -58
Rear Seat	1 -59
Rear Seat Back	1 -60

DESCRIPTION

The body is designed to give an unitary construction with the body and chassis frame unified for light, rigid and durable construction.

The air resistance is exceptionally low due to the inclined front windshield glass, fast back style and curved window glass.

The front fender is bolted to the body and can easily be replaced.

Triple silencer around the floor and dash panel etc., and thick silencer installed on other places prevent and absorb noise and vibration, and keep the room quiet even at high speed driving.

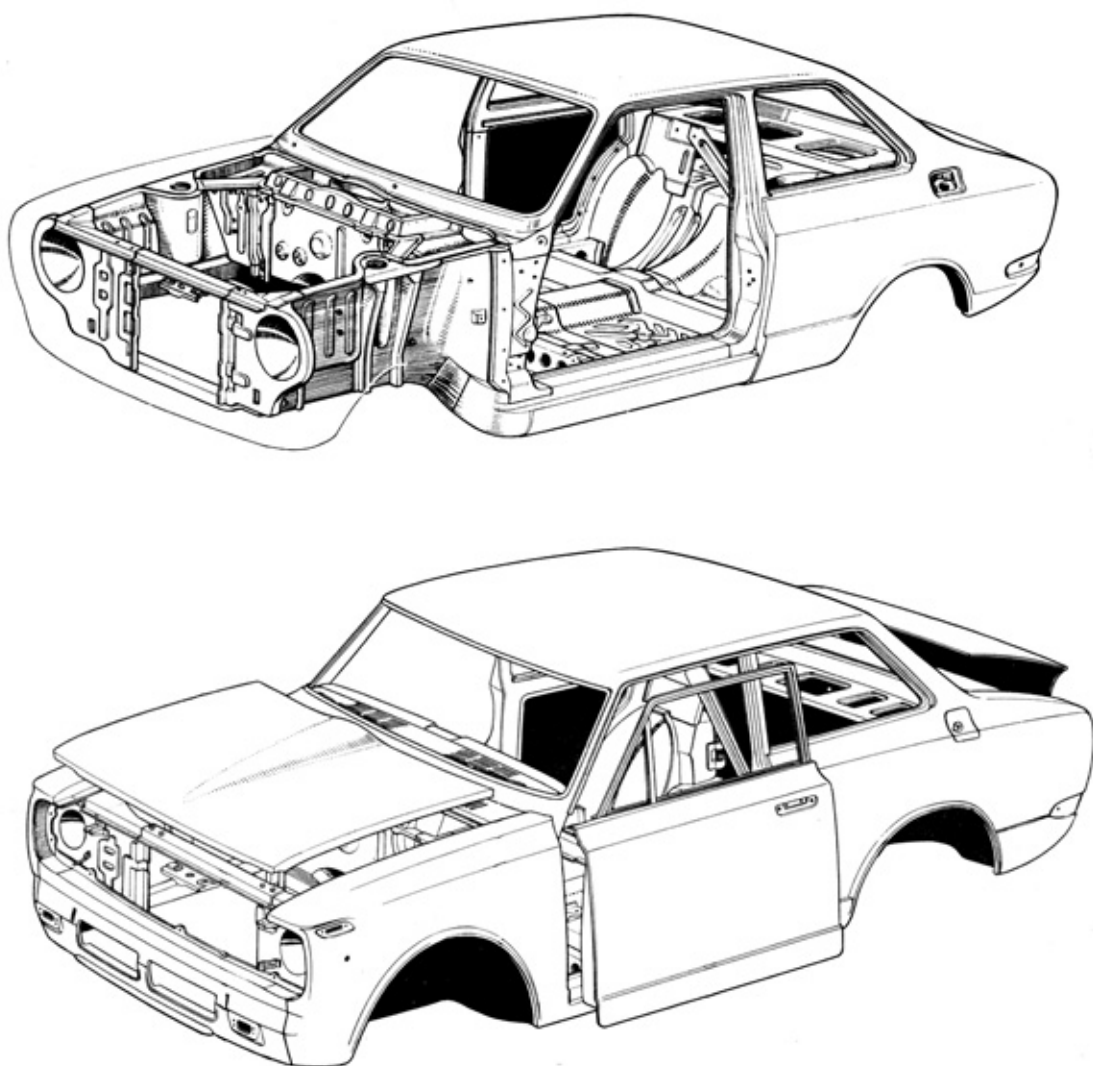
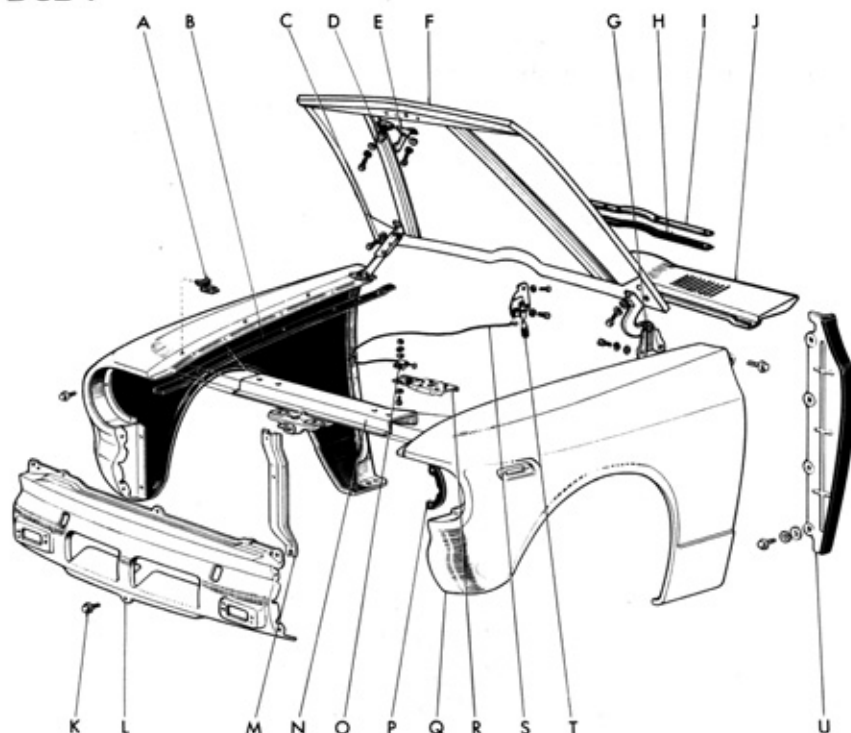


Fig.1-1 Body Construction

Y2159, Y2160

FRONT BODY



- | | |
|--|------------------------------------|
| A. Hood bumper | K. Washer based head hexagon bolt |
| B. Front fender main packing | L. Lower shroud panel |
| C. Hood support | M. Hood lock base with T nut brace |
| D. Hood hook | N. Hood lock base |
| E. Hood auxiliary catch hook | O. Hood lock control wire A clamp |
| F. Hood | P. Front fender front packing |
| G. Hood hinge | Q. Front fender |
| H. Hood to cowl top weatherstrip | R. Hood lock |
| I. Hood to cowl top weatherstrip
retainer | S. Hood lock control cable |
| J. Cowl ventilator louver | T. Hood lock release lever |
| | U. Front fender splash shield |

Fig.1-2 Front Body Components

Y2161

HOOD & HOOD LOCK

Removal

1. Open the hood, and remove the hood support and hood attaching bolts, then remove the hood.
2. Remove the cowl ventilator louver and remove the hinges.
3. Remove the hood lock and release lever, and after disconnecting the battery cable to prevent short remove the hood lock control cable.

Installation

Follow the removal procedures in the reverse order.

Inspection

1. Apply a few drops of motor oil to the friction portions of the hood support, hood lock and release lever.

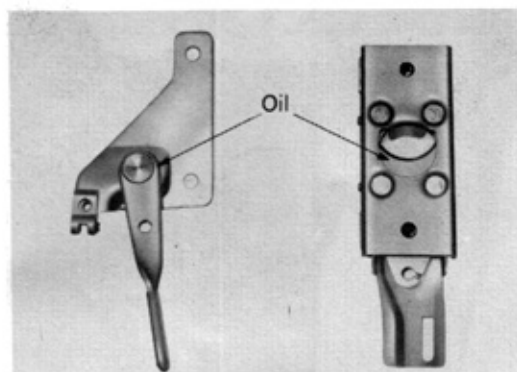


Fig.1-3 Applying Motor Oil V0384

2. If the hood lock dowel is excessively worn and/or the hood lock is defective, replace them as necessary.

Adjustment

Hood

The hood is provided with to-and-fro, up-and-down and side-to-side adjustments.

1. To make the to-and-fro and side-to-side adjustments loosen the hood attaching bolts and move the hood to the proper position.



Fig.1-4 Hood Adjustment V0385

2. To make the up-and-down adjustment at the rear edge of the hood, loosen the hinge attaching bolts and move the hood to the proper position.
3. To make the up-and-down adjustment at the front edge of the hood, loosen the hood lock dowel attach-

ing bolts, and move the hood to the proper position.

Hood Lock

Before adjusting the hood lock mechanism, ensure that the hood is properly aligned.

1. If the hood lock does not engage properly when the hood is closed, loosen the hood lock dowel lock nut and turn the hood lock dowel counterclockwise or clockwise to lengthen or shorten the dowel. The length of the dowel should be adjusted as there is a little play when the hood is closed and hand pressure is applied on the hood.

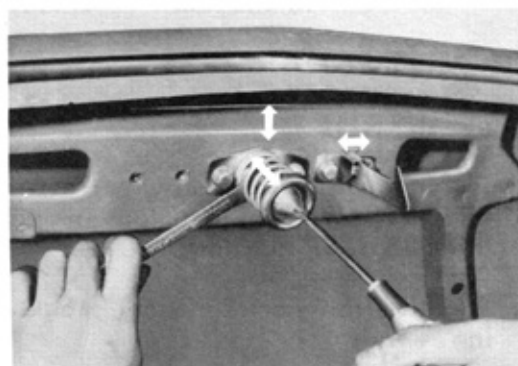


Fig.1-5 Hood Lock Dowel Adjustment V0386

2. If the hood lock dowel does not fit to the hood lock, loosen the hood lock attaching bolts or the hood lock dowel retainer attaching bolts, and adjust them.



Fig.1-6 Hood Lock Adjustment V0387

1-4 BODY - Front Fender & Lower Shroud Panel

- Adjust the hood auxiliary catch hook by loosening the attaching bolts so that it may function properly when pulling the hood lock release lever to open the hood.

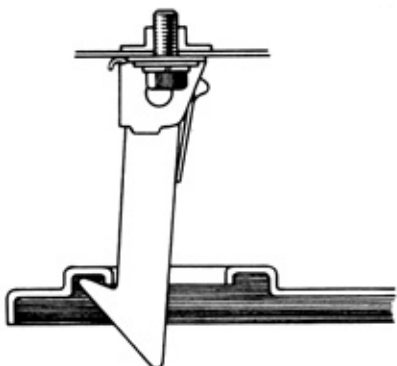


Fig.1-7 Catch Hook
Adjustment X4793

FRONT FENDER

Removal (RH)

- Remove the windshield wiper arms and the cowl ventilator louver with the hood half-opening.
- Remove the rocker panel moulding.
- Remove the fender splash shield.
- Remove the headlight door, radiator grille and headlight.
- Remove the front bumper.
- Remove the attaching bolts and screws, and remove the fender.

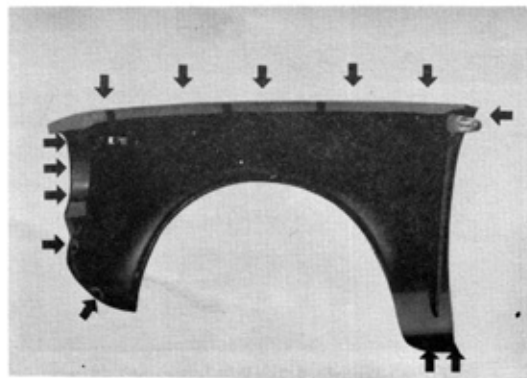


Fig.1-8 Bolts & Screws
Removal V0388

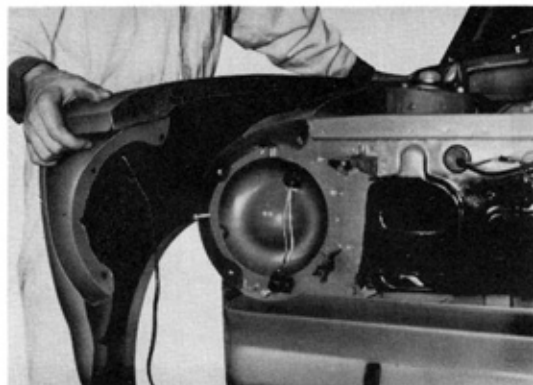


Fig.1-9 Fender Removal V0389

Installation

Follow the removal procedures in the reverse order.

When installing, install the fender attaching bolts and nuts loosely, and adjust the position of the fender to the hood and door, then tighten the attaching bolts and nuts securely.

LOWER SHROUD PANEL

Removal

- Remove the headlight doors, radiator grille and headlights.
- Remove the front bumper.
- Disconnect the wiring connection.
- Remove the lower shroud panel attaching bolts and screws, and remove the lower shroud panel.

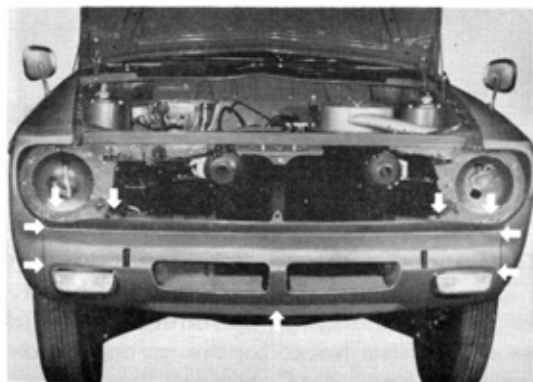


Fig.1-10 Bolts & Nuts
Removal V0390

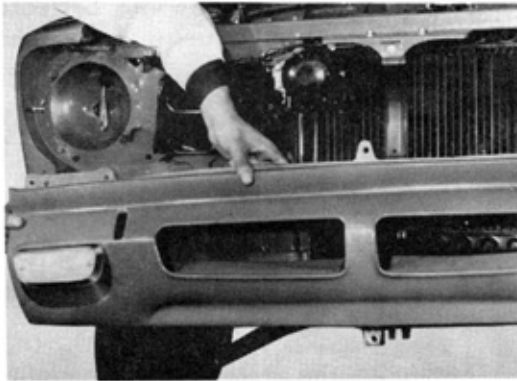


Fig.1-11 Lower Shroud Panel Removal V0391

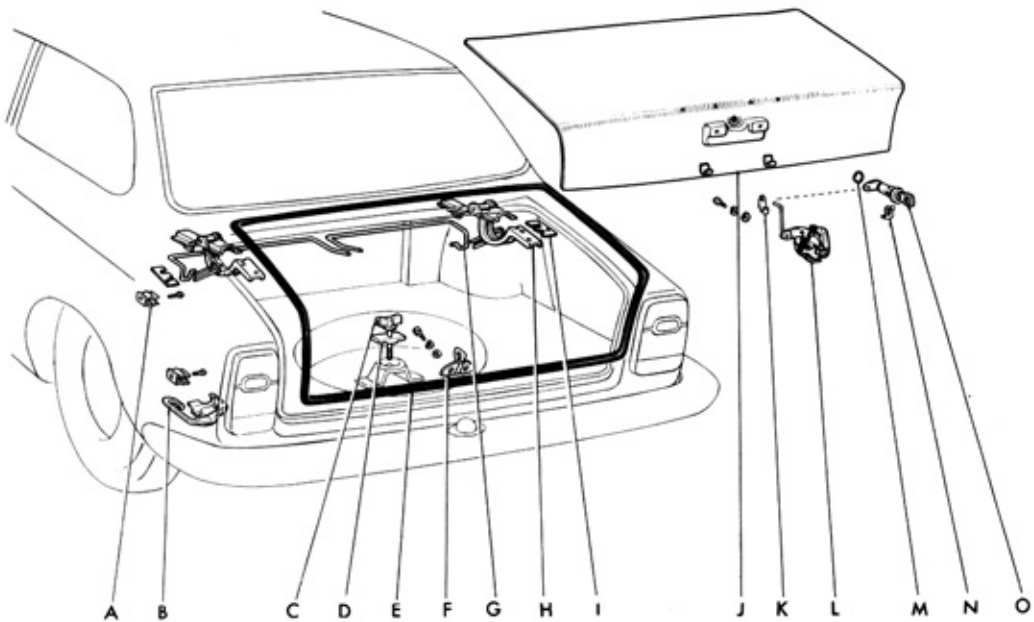
Replacement

If replacement of the lower shroud panel is necessary, install the lower shroud panel with the turn signal light installed on it.

Installation

Reverse the removal procedures. When installing, install the attaching bolts and nuts loosely, and align the lower shroud panel with the front fenders, then tighten the attaching bolts and nuts securely.

REAR BODY



- | | |
|---|---|
| <p>A. Jack handle clamp
 B. Jack carrier
 C. Spare wheel clamp screw
 D. Spare wheel clamp plate
 E. Luggage compartment door weatherstrip
 F. Luggage compartment door lock striker
 G. Torsion bar
 H. Luggage compartment door hinge</p> | <p>I. Luggage compartment door hinge spacer
 J. Luggage compartment door panel
 K. Rod snap
 L. Luggage compartment door lock
 M. Luggage compartment door lock cylinder pad
 N. Luggage compartment door lock cylinder retainer
 O. Luggage compartment door lock cylinder</p> |
|---|---|

Fig.1-12 Rear Body Components

LUGGAGE COMPARTMENT DOOR & DOOR LOCK

Removal

1. Remove the luggage compartment door by removing the attaching bolts to the hinge.
2. Remove the torsion bar.
3. Remove the luggage compartment door lock cylinder by removing the lock cylinder retainer.

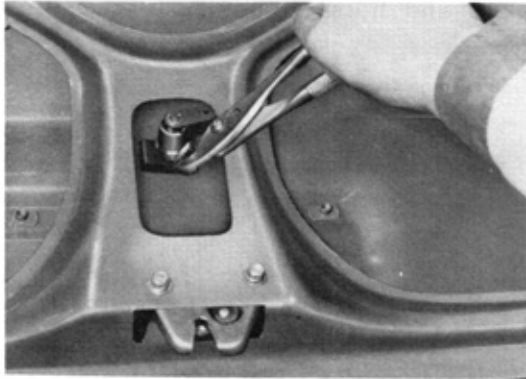


Fig.1-13 Lock Cylinder Removal V0393

4. Remove the luggage compartment door lock by removing the three attaching bolts.

Inspection

1. If the lock cylinder does not function well, replace it.
2. If the lock cylinder is noisy, apply grease to the lock cylinder.

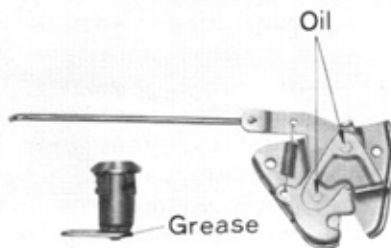


Fig.1-14 Door Lock Inspection V0394

3. If the door lock does not operate smoothly, apply motor oil to the operating surfaces.
If defective replace it.

Installation

Follow the removal procedures in the reverse order.

Adjustment

1. To make the to-and-fro or right-and-left adjustment, loosen the hinge attaching bolts, and move the door as required.

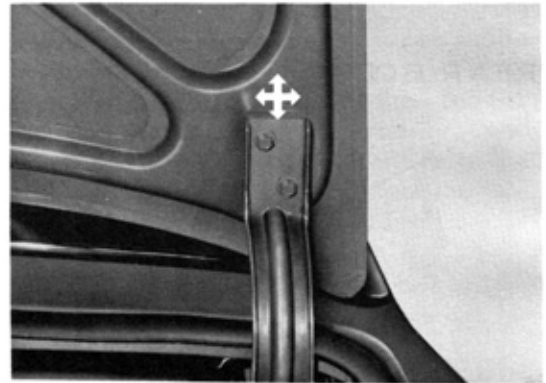


Fig.1-15 Luggage Compartment Door Adjustment V0395

2. To make the up-and-down adjustment at the front end of the door, add or remove the hinge spacer. (Thickness: 1.6 mm or 0.063")
3. To adjust the door lock, loosen the door lock striker attaching bolts, and move the striker as required, then tighten the attaching bolts.

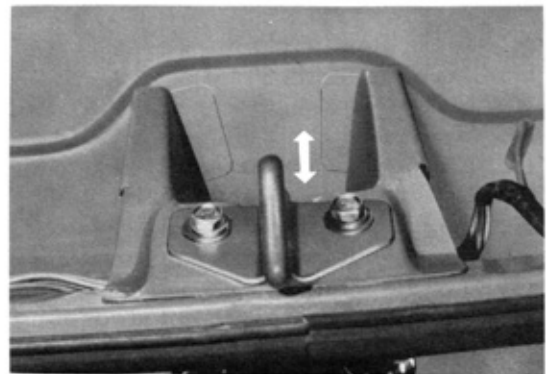
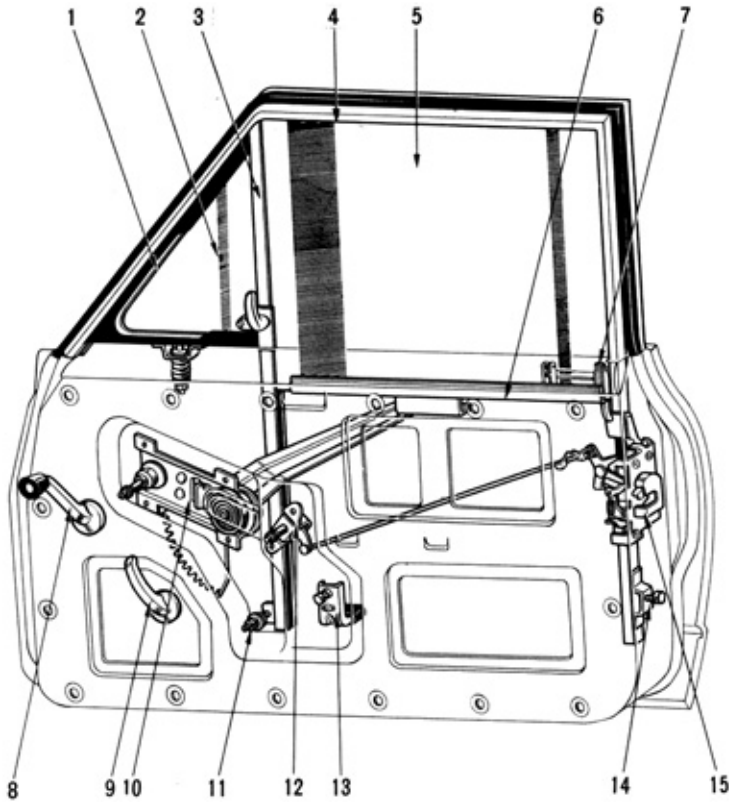


Fig.1-16 Luggage Compartment Door Lock Adjustment V0396

DOOR



- | | |
|-----------------------------------|--|
| 1. Ventilating window glass frame | 9. Door inside handle |
| 2. Ventilating window glass | 10. Door window regulator |
| 3. Door division bar | 11. Ventilating window division bar adjusting bolt |
| 4. Door window frame | 12. Door lock remote control and link |
| 5. Door window glass | 13. Door window glass stopper |
| 6. Door window glass channel | 14. Door rear lower frame |
| 7. Door outside handle | 15. Door lock |
| 8. Door window regulator handle | |

Fig.1-17 Door Construction

Y2088

The figure 1-17 illustrates the construction of the door. On the door hinge, the open stopper spring is incorporated to prevent the door from closing naturally.

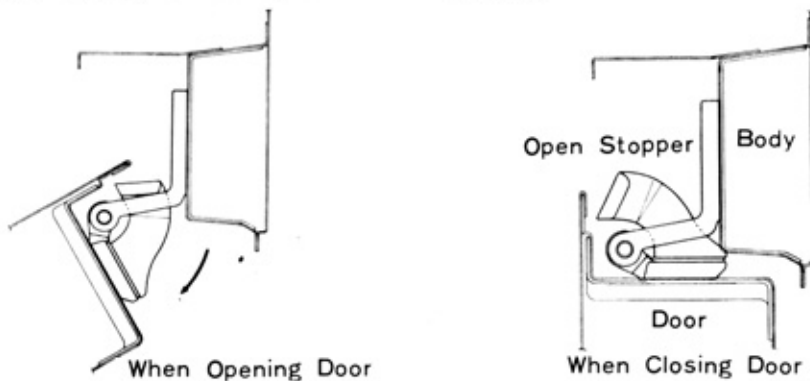
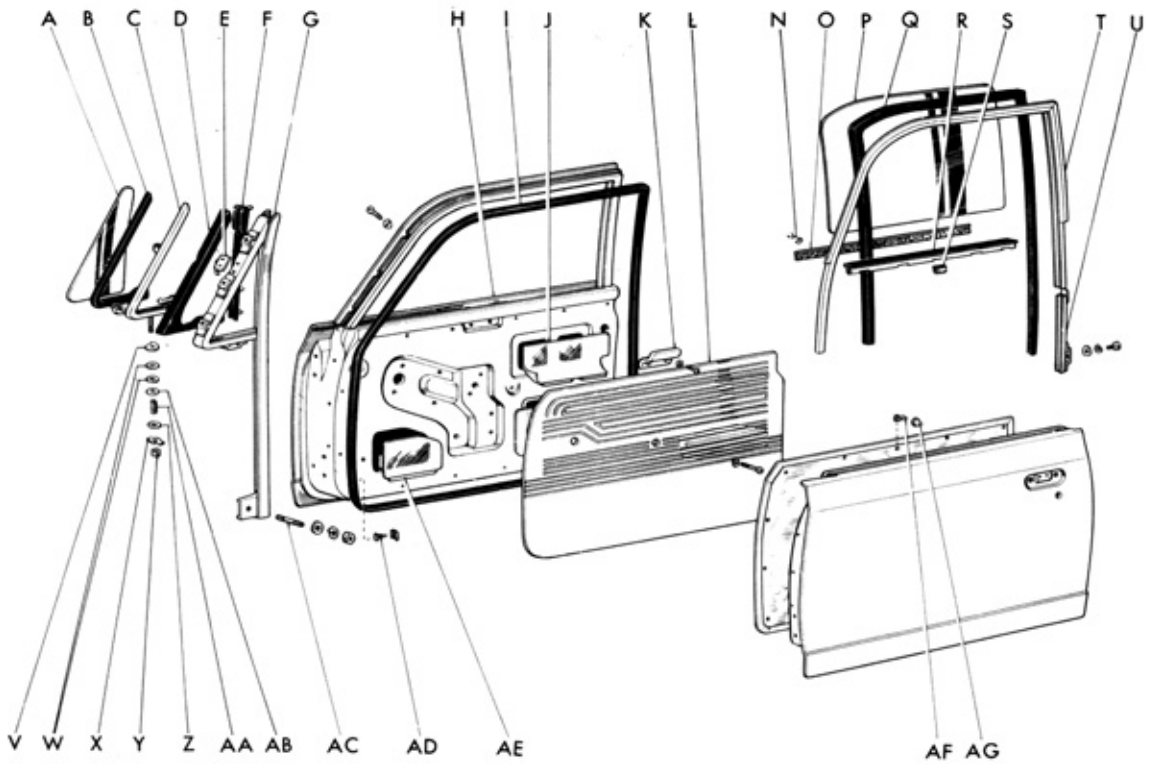


Fig.1-18 Open Stopper Spring

X5772, X5773



- | | |
|---|--|
| A. Ventilating window glass | Q. Door window glass outer weatherstrip |
| B. Ventilating window frame strip | R. Door window glass weatherstrip clip |
| C. Ventilating window glass frame | S. Door window frame |
| D. Ventilating window weatherstrip No. 1 | T. Door rear lower frame |
| E. Ventilating window upper pivot bracket | U. Door ventilating window opening stopper |
| F. Ventilating window weatherstrip No. 2 | V. Plate washer |
| G. Division bar | W. Lock washer |
| H. Door panel | X. Nut |
| I. Door weatherstrip | Y. Plate washer |
| J. Door lock hole cover | Z. Compression spring |
| K. Door inside pull handle | AA. Door ventilating window lower pivot revolving washer |
| L. Door trim panel | AB. Division bar adjusting bolt |
| M. Clip | AC. Door weatherstrip clip |
| N. Door window glass inner weatherstrip | AD. Service hole cover |
| O. Door window glass run | AE. Door trim retainer |
| P. Door window glass run | AF. Door trim retainer cap |

Fig.1-19 Door Panel & Glass Components

Inspection & Adjustment

1. If some play is appreciated in the axial or vertical direction of the door hinge, tighten the hinge attaching bolts.
If a little play is still appreciated after tightening the bolts, replace both the bushing and pin.
2. To adjust the door for up-and-down and to-and-fro position, loosen the hinge attaching bolts at the pillar side.

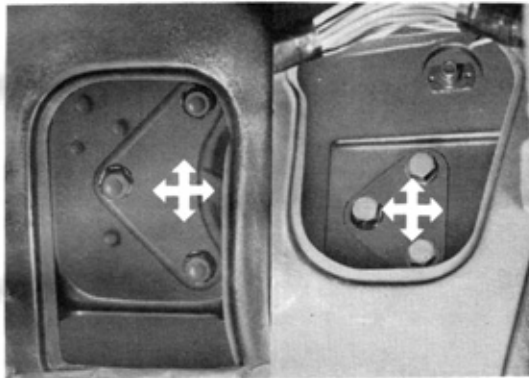


Fig.1-20 Hinge Adjustment
V0414, V0415

3. To adjust the door for right-and-left and up-and-down position, loosen the hinge attaching bolts at the door side.

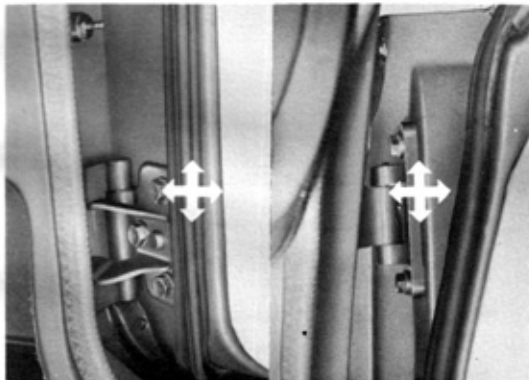


Fig.1-21 Hinge Adjustment
V0416, V0417

4. Adjust the door for closing by moving the striker as required.

Removal

1. Remove the door hinge attaching bolts, and remove the door.
To facilitate the procedure, support the door with a jack.
2. Remove the instrument panel under tray if installed, and cowl side trim board.
3. Remove the service hole cover, and remove the door hinges.

Door Hinge Bushing & Pin Replacement

1. To disassemble the hinge, drive the pin out toward the serration using a blunt punch.
2. Replace both the bushing and pin if necessary.
3. To assemble the hinge, apply some grease to the bushing and open stopper spring.

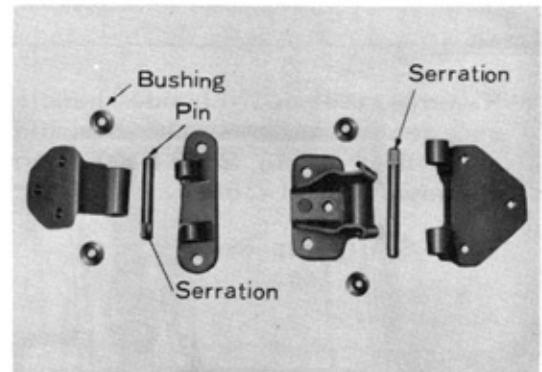


Fig.1-22 Hinge Disassembly V0418

Installation

Follow the removal procedures in the reverse order.
Before tightening the door and hinge attaching bolts, ensure that the door is correctly aligned.

DOOR WINDOW REGULATOR

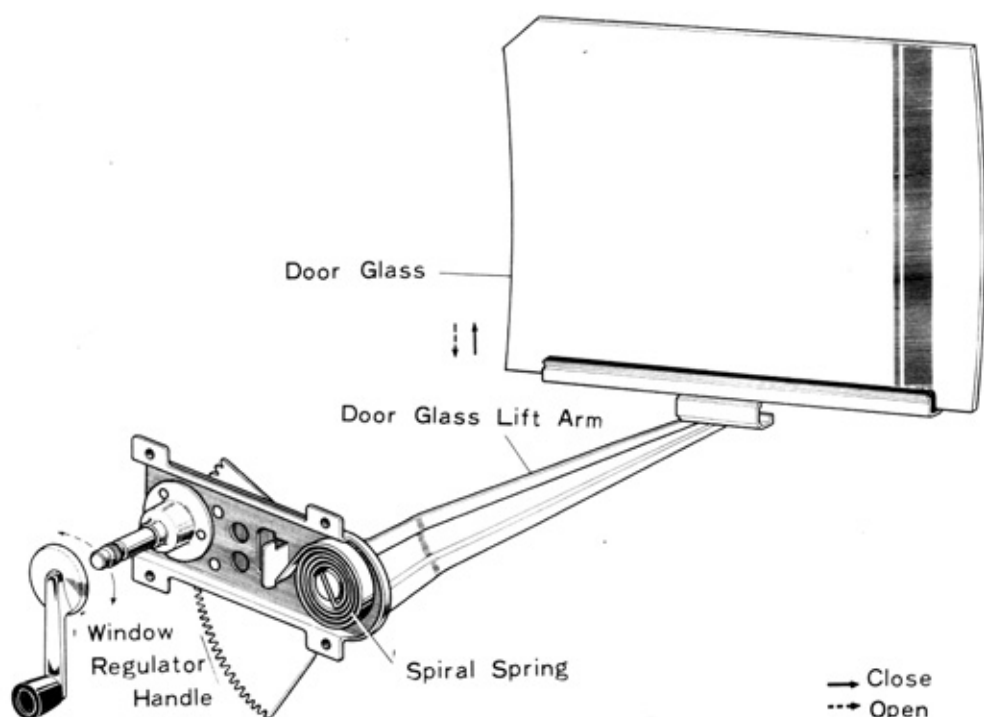


Fig.1-23 Window Regulator

Y2224

Removal

1. Remove the door inside handle and door window regulator handle using the Handle Shaft Snap Ring Remover 09801-30010.

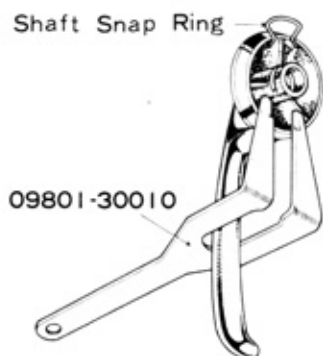


Fig.1-24 Inside Handle Removal . X4244

2. Remove the door trim panel using a driver.
3. Remove the service hole cover.

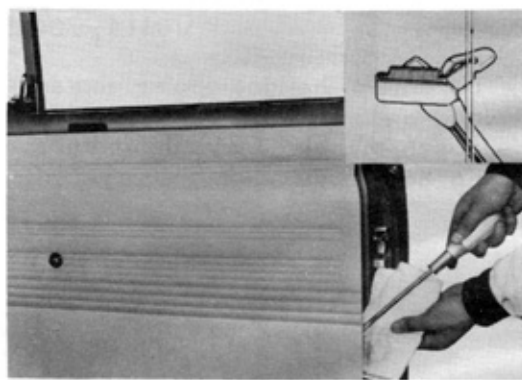


Fig.1-25 Door Trim Panel Removal V0397, X4802

4. Remove the glass stopper.
5. Support the glass in the position illustrated in the Fig.1-26 on the next page with a proper tool to prevent it from lowering.
6. Remove the regulator attaching bolts, and lower the regulator to disconnect the regulator roller from the glass channel, then remove the regulator assembly.

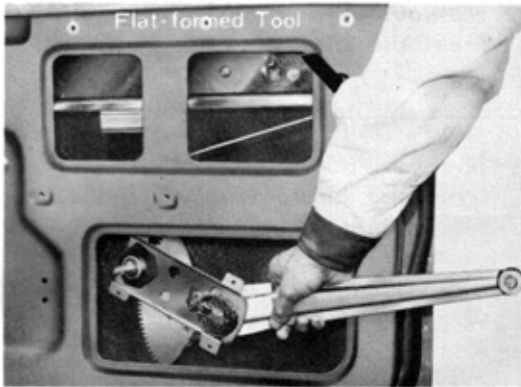


Fig.1-26 Window Regulator Removal V0398

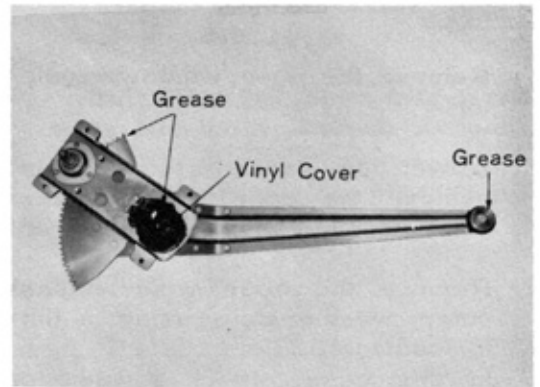


Fig.1-27 Window Regulator Inspection V0399

Inspection

1. Inspect the regulator gear and spring for wear and damage. If defective, replace the regulator assembly.

2. If necessary, apply grease to each operating portion.

Installation

Follow the removal procedures in the reverse order.

* * * * *

DOOR WINDOW GLASS & VENTILATING WINDOW GLASS

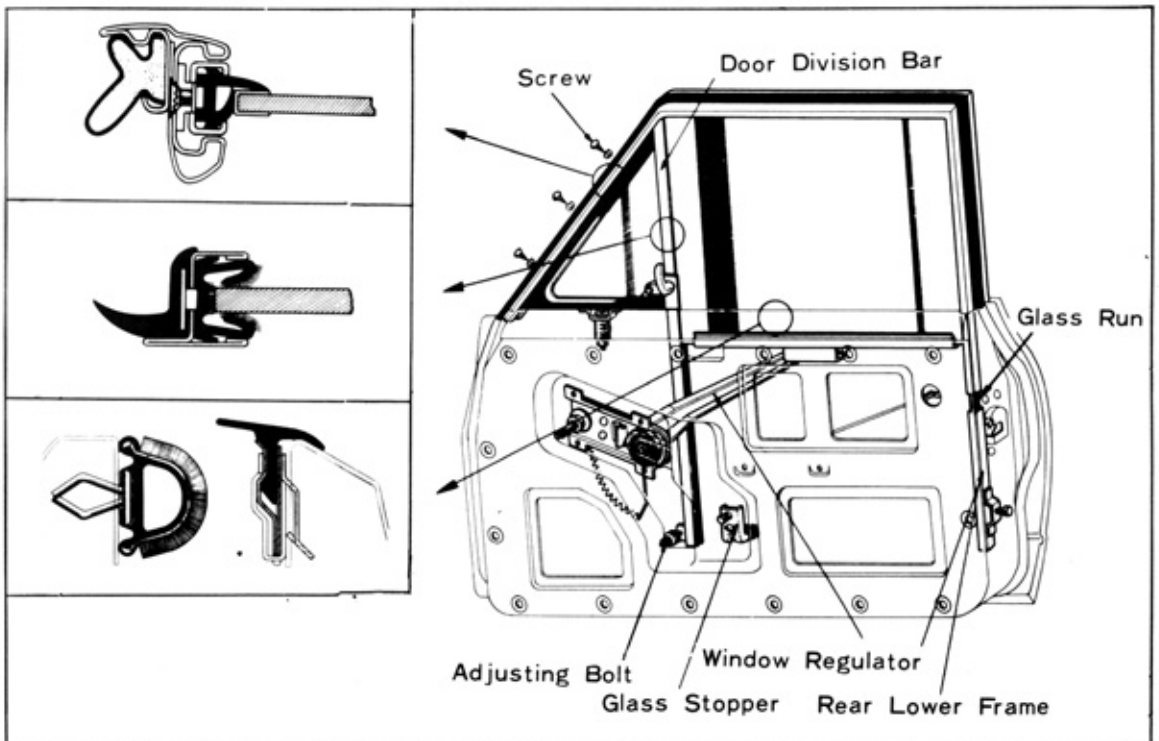


Fig.1-28 Door Window Glass & Ventilating Window Glass X4803, X4804 Y2090, X4805

Removal

1. Remove the door window regulator.
2. Lower the glass all the way, and remove the door window glass inner weatherstrip using a driver.
3. Remove the door window glass outer weatherstrip using a flat-formed tool.
In this case, attach a waste on the door to prevent the door from damaging.



Fig.1-29 Outer Weatherstrip Removal V0400

4. Remove the division bar adjusting bolts.
5. Remove the door window glass run from the division bar.
6. Remove the three screws, and remove the division bar toward the rear.



Fig.1-30 Division Bar Removal V0401

7. Remove the door window glass from the door.

Door Window Glass Replacement

1. Remove the window glass channel from the glass with a wooden or fiber mallet.
2. To install, place the glass channel with the weatherstrip on the glass, and tap the glass channel with a rubber mallet. Apply water and soap to facilitate the installation.

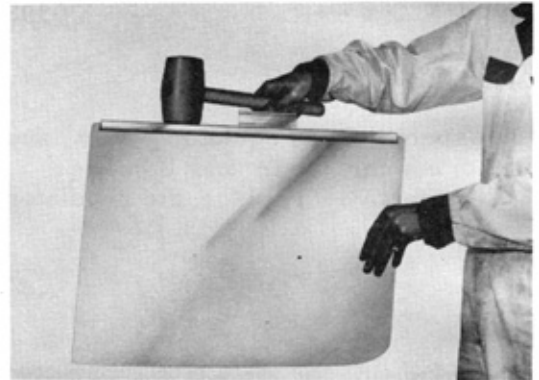


Fig.1-31 Window Glass Installation V0402

Ventilating Window Glass Replacement

1. Remove the ventilating window upper pivot bracket attaching screws and compression spring attaching nut.
2. Remove the glass from the glass frame.

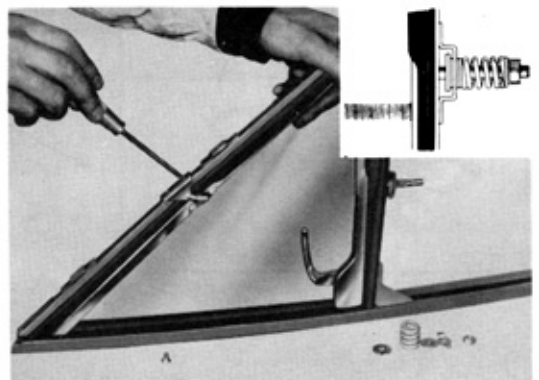


Fig.1-32 Ventilating Window Glass Frame Removal V0403 X4806

3. Apply adhesive cement onto the glass frame, and install the frame strip.
4. Apply adhesive cement onto the frame strip, then install the glass to the glass frame.

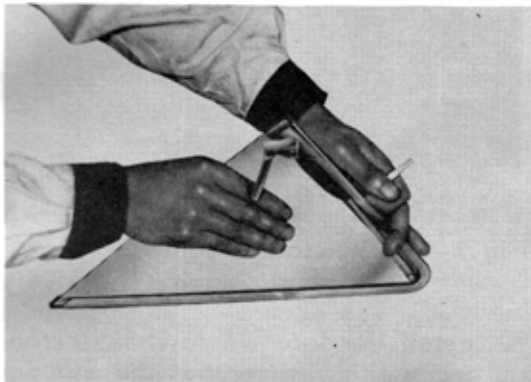


Fig.1-33 Ventilating Window Glass Installation V0404

5. Install the glass frame to the ventilating window division frame.
6. Adjust the ventilating window for opening and closing by tightening the compression spring attaching nut, and then lock the nut with a lock plate.

Ventilating Window Weatherstrip Replacement

1. Remove the glass frame from the ventilating window division frame.
2. Remove the weatherstrip No. 1 and No.2.

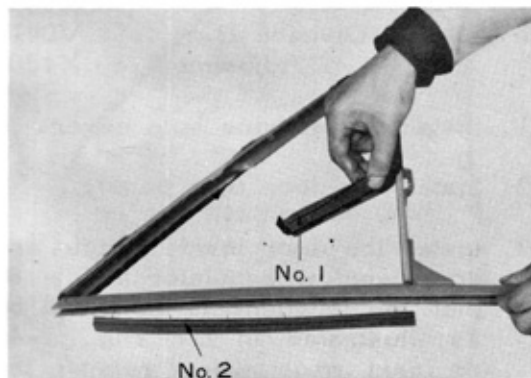


Fig.1-34 Weatherstrip Replacement V0405

3. Install the replacement weatherstrip No.1 and No.2.
4. Ensure that the glass frame contacts with the weatherstrip equally.
5. If the clearance is appreciated, apply suitable body sealer or adhesive cement on the corner of the frame.

Door Window Glass Run Replacement

1. Remove the glass run, then remove and clean the adhesive cement.

Adhesive Cement

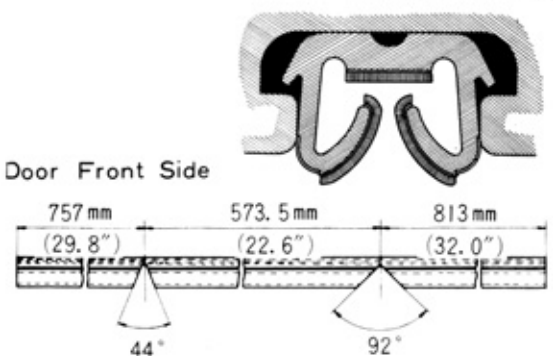


Fig.1-35 Door Glass Run X4807, X4808

2. Apply adhesive cement onto the frame, and dry it for a while.
3. Install the glass run.



Fig.1-36 Door Window Glass Run Installation V0406

Installation

1. Install the door window glass to the door.

2. Install the door window glass run to the door division bar.
3. Insert the door division bar assembly into the door, and position the division bar on the glass, then install it on the door by tightening the three screws.



Fig.1-37 Door Division Bar Installation V0407

4. Install the door window glass inner weatherstrip.
5. Install the door window glass outer weatherstrip.

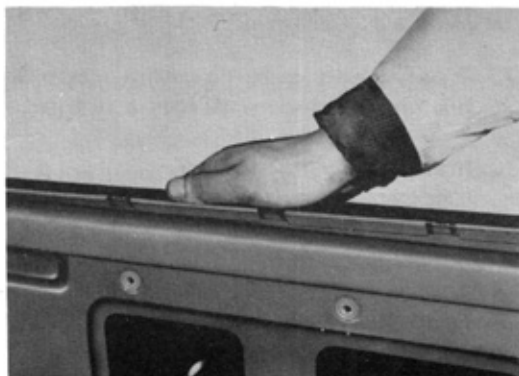


Fig.1-38 Door Window Glass Outer Weatherstrip Installation V0408

6. Secure the glass with a flat-formed tool as illustrated in the Fig.1-39.
7. Position the window regulator in the door, and insert the window regulator roller(1) into the glass channel(2).
If necessary, apply grease to the contact surface of the regulator.

8. Install the window regulator to the door.

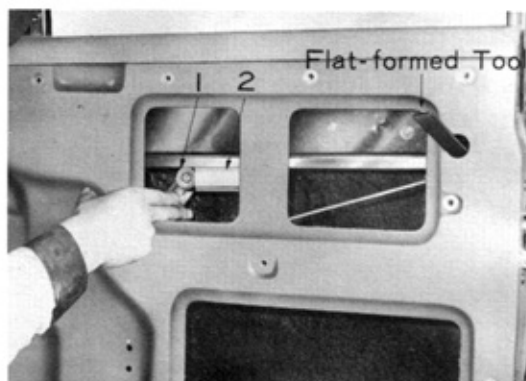


Fig.1-39 Window Regulator Installation V0409

9. Install the door window glass stopper making sure that the stopper ring is not worn.
10. Install the division bar adjusting bolt, and adjust the location of the division bar to make the movement of the glass smooth, and also to contact it with the glass run equally.

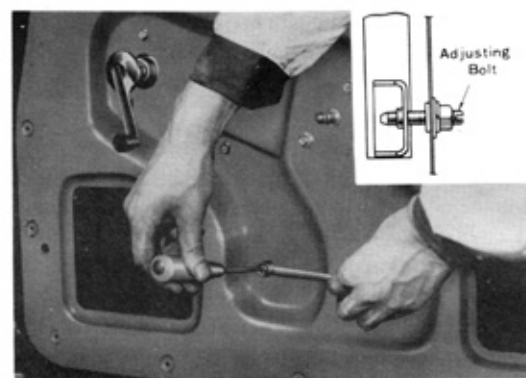


Fig.1-40 Division Bar Adjustment V0411 X4809

11. Install the service hole cover.
12. Install the door trim panel.
13. Install the door inside handle and door window regulator handle so that the locations of them will be as illustrated in the Fig. 1-41 on next page when raising the window glass all the way.

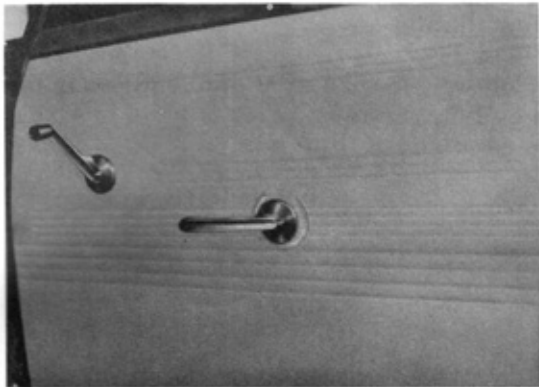


Fig.1-41 Door Handle Location V0412

DOOR WEATHERSTRIP

Removal

Disconnect the weatherstrip from the attaching clips, and remove the weatherstrip without damaging the rubber if the weatherstrip is to be used again.

Inspection

Inspect the weatherstrip for crack, deformation and damage. If defective, replace it.

Installation

1. Remove the attaching clips with a plier if not serviceable.
2. Install and secure the weatherstrip with attaching clips.

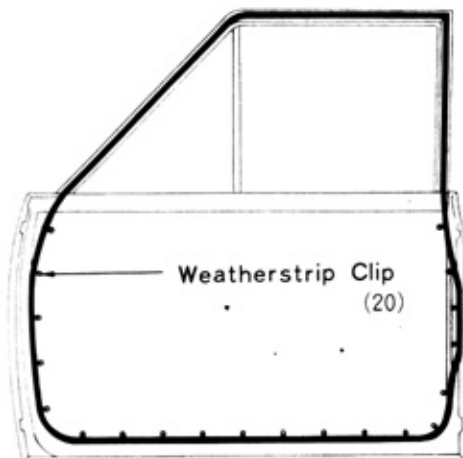


Fig.1-42 Door Weatherstrip Installation X4810

DOOR WINDOW GLASS WEATHERSTRIP

The door window glass inner weatherstrip prevents the glass from vibrating, and the outer weatherstrip prevents dust and water from penetrating.

Removal

1. Remove the door trim panel.
2. Remove the service hole cover (1) and the glass stopper (2).

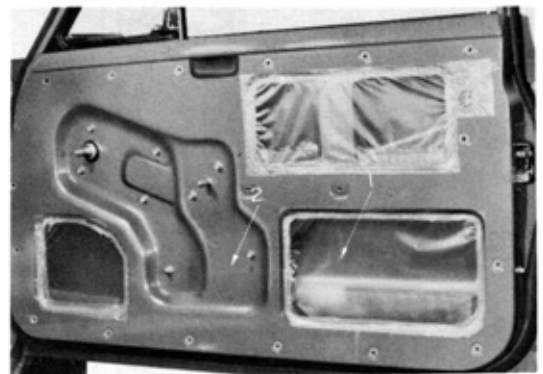


Fig.1-43 Glass Stopper Removal V0413

3. Install the window regulator handle loosely, and lower the glass fully so as not to disengage the regulator roller from the glass channel.
4. Remove the door window glass outer weatherstrip and the inner weatherstrip with a flat-formed tool or a driver. In this case, attach a waste to prevent the door from damaging.

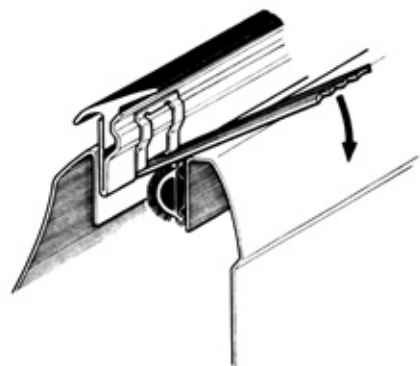


Fig.1-44 Outer Weatherstrip Removal X4811

Inspection

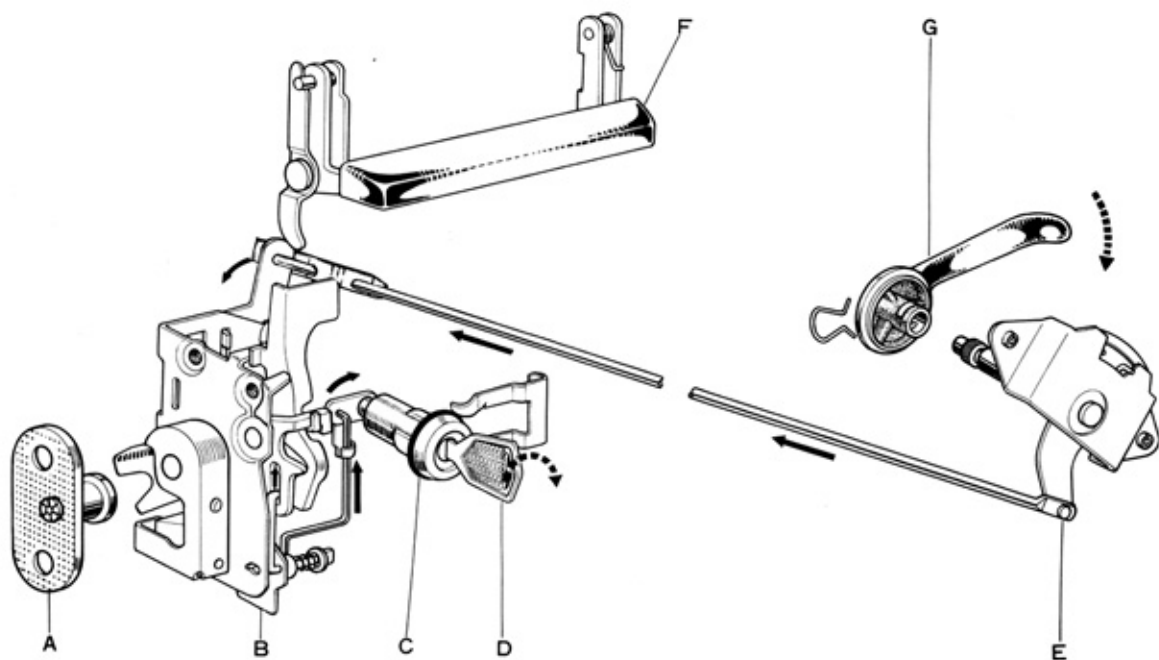
Inspect the weatherstrips for deformation and damage.
If necessary, replace them.

Installation

Follow the removal procedures in the reverse order.

* * * * *

DOOR LOCK



- A. Door lock striker
- B. Door lock
- C. Door lock cylinder and sleeve
- D. Door lock key

- E. Door lock remote control
- F. Door lock outside handle
- G. Door lock inside handle

Fig.1-45 Door Lock Components

Y2091

Operation

1. As the inside handle or outside handle is pulled, the ratchet pole is raised and unlocks the ratchet wheel, and accordingly the door lock ratch unlocks the striker and the door is ready to open.

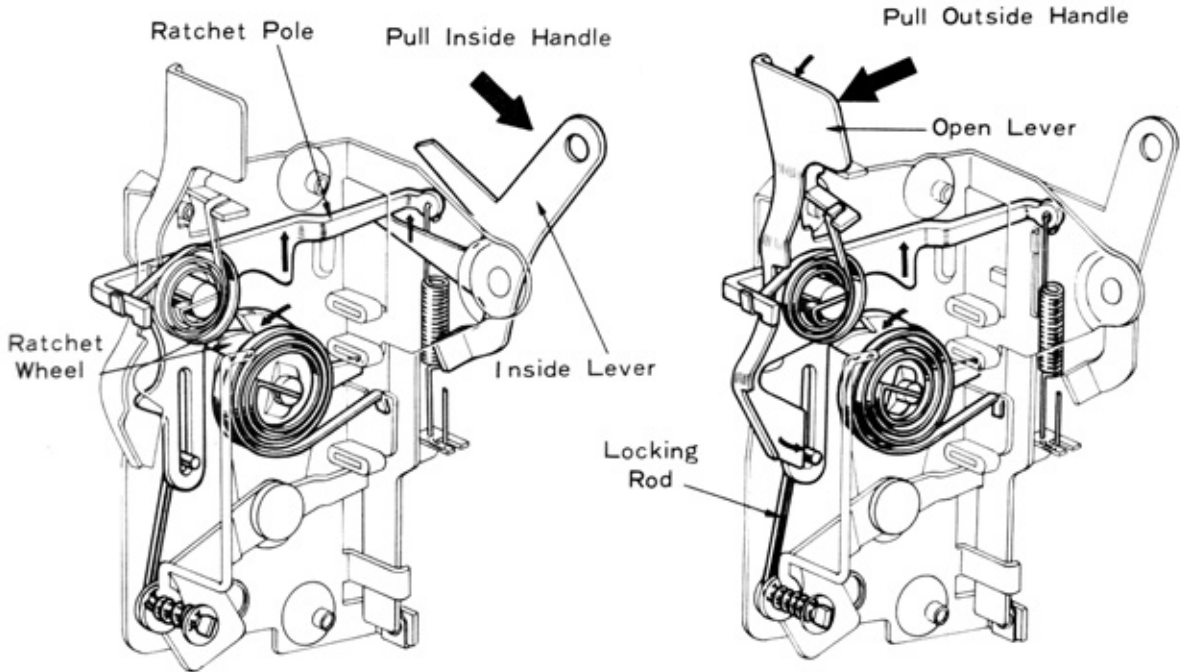


Fig.1-46 Pulling Inside Handle & Outside Handle X4796, X4797

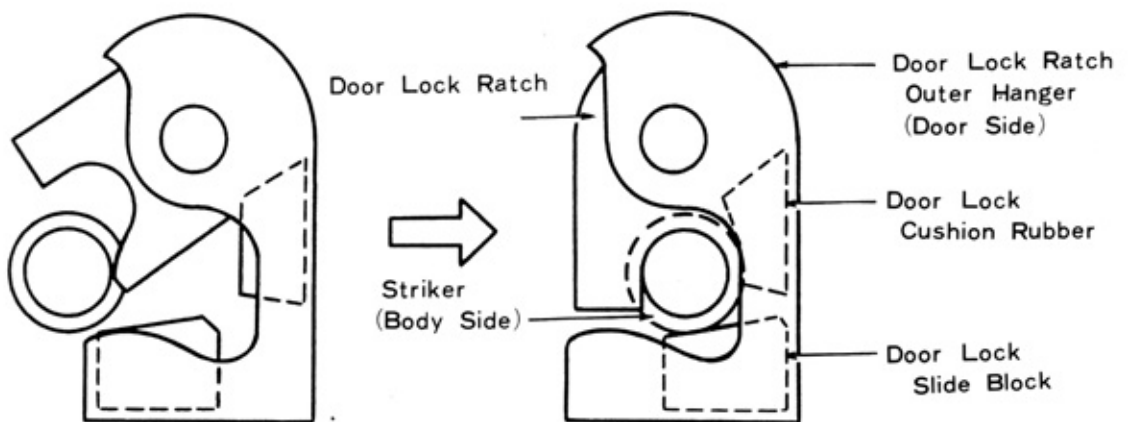


Fig.1-47 Ratch & Striker

X5771

2. As the door is locked by pushing the inside handle or by operating the key, the locking rod is raised, and therefore even if the outside handle is pulled, the door will not open.

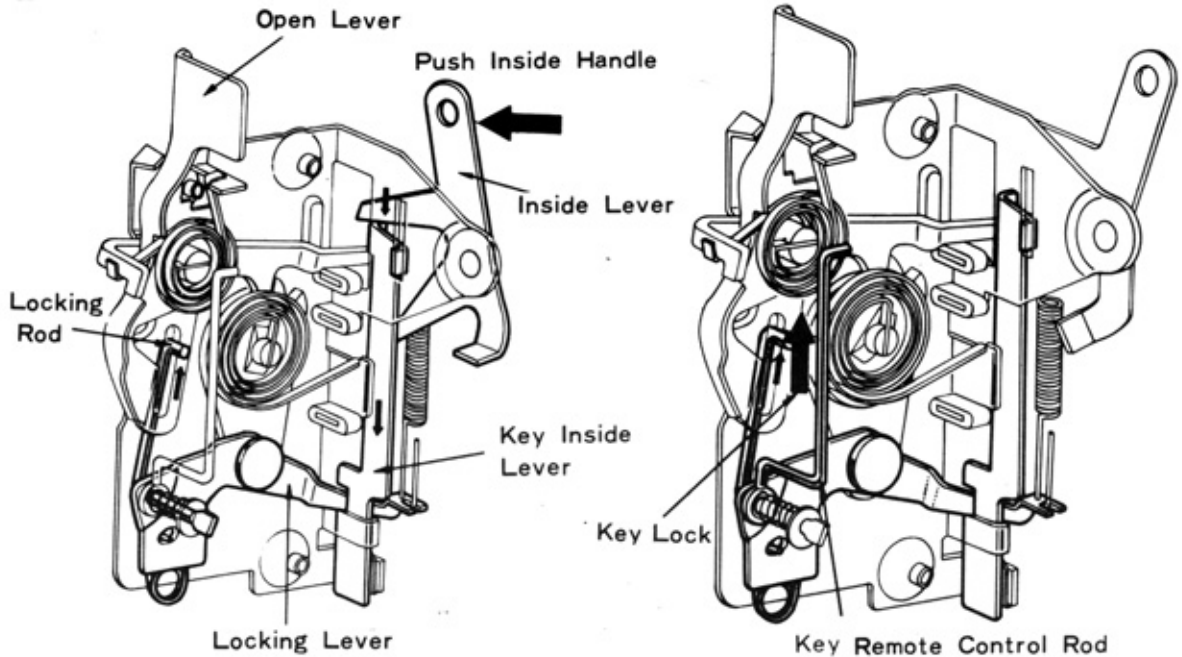


Fig.1-48 Inside Handle Lock & Key Lock X4798, X4799

3. As the inside handle is pushed with the door opened and the door is closed with the outside handle pulled, the ratchet wheel turns and contacts with the ratchet pole, but as the locking rod is supported by the open lever in the raised position, the door is locked. When closing the door without pulling the outside handle, the ratchet wheel turns and raises the ratchet pole, and the locking rod is lowered by the tension spring and locking lever, and therefore the door is unlocked.

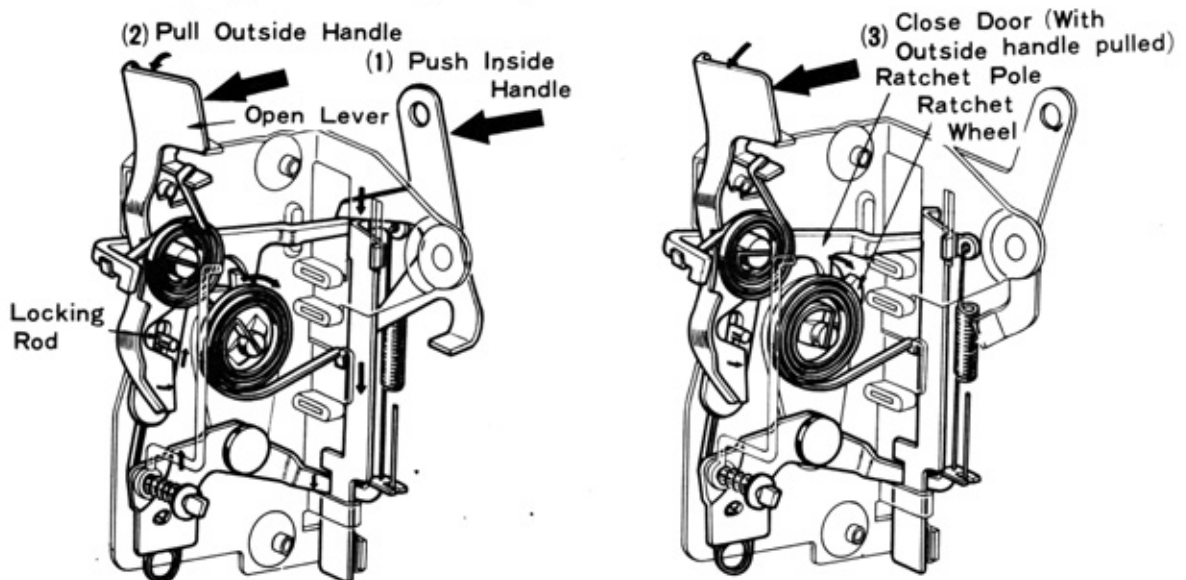


Fig.1-49 Locking by Inside Handle & Outside Handle X4800, X4801

Removal

1. Remove the door trim panel and service hole cover.
2. Raise the glass fully, and disconnect the remote control link and rod from the door lock.
3. Remove the door rear lower frame attaching bolt(1) and door lock attaching screws(2), and remove the door lock.

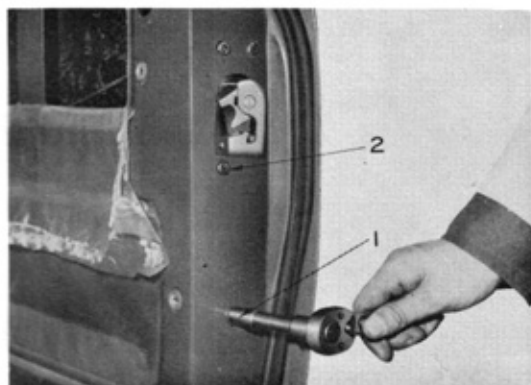


Fig.1-50 Door Lock Removal V0419

Inspection

1. Inspect the door lock for operation. If defective, repair or replace it.
2. Inspect the door lock cushion for wear or damage. If defective, replace it.
3. Lubricate the friction surfaces of the door lock with grease.

Installation

Follow the removal procedures in the reverse order.

DOOR LOCK STRIKER

Removal

Remove the two attaching bolts.

Adjustment & Installation

Before installing the striker, inspect the striker for wear, and ensure that

the door is correctly aligned. To install, install the attaching bolts loosely, and move the striker as required, then tighten the bolts.

DOOR OUTSIDE HANDLE

Removal

1. Remove the door trim panel and service hole cover.
2. Raise the door window glass all the way, and remove the outside handle attaching nut(1).



Fig.1-51 Outside Handle Removal V0421

3. Push the door lock open lever (2) with a finger pressure, and remove the outside handle release lever(3), then the outside handle.

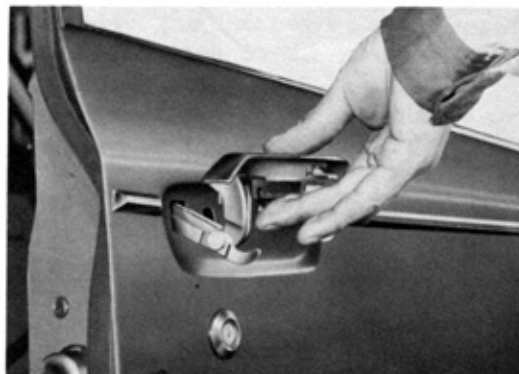


Fig.1-52 Outside Handle Removal V0422

Installation

Follow the removal procedures in the reverse order.

DOOR LOCK CYLINDER

Removal

1. Remove the door trim panel and service hole cover.
2. Remove the retainer (1), and lock cylinder and sleeve clamp (2).

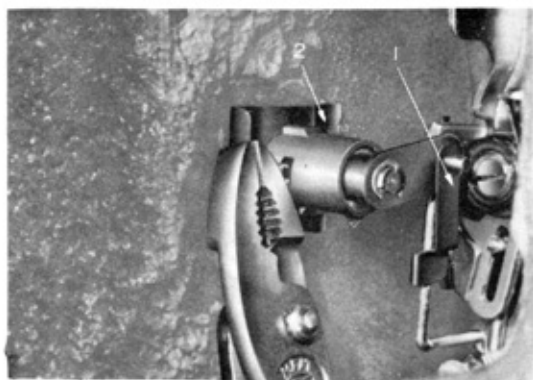


Fig.1-53 Door Lock Cylinder Removal V0423

Installation

Apply grease on the operating surfaces of the lock cylinder, and follow the removal procedures in the reverse order.

DOOR LOCK REMOTE CONTROLS

Removal

1. Remove the door trim panel and service hole cover.
2. Disconnect the remote control link, and remove the two attaching bolts, then remove the remote control assembly.



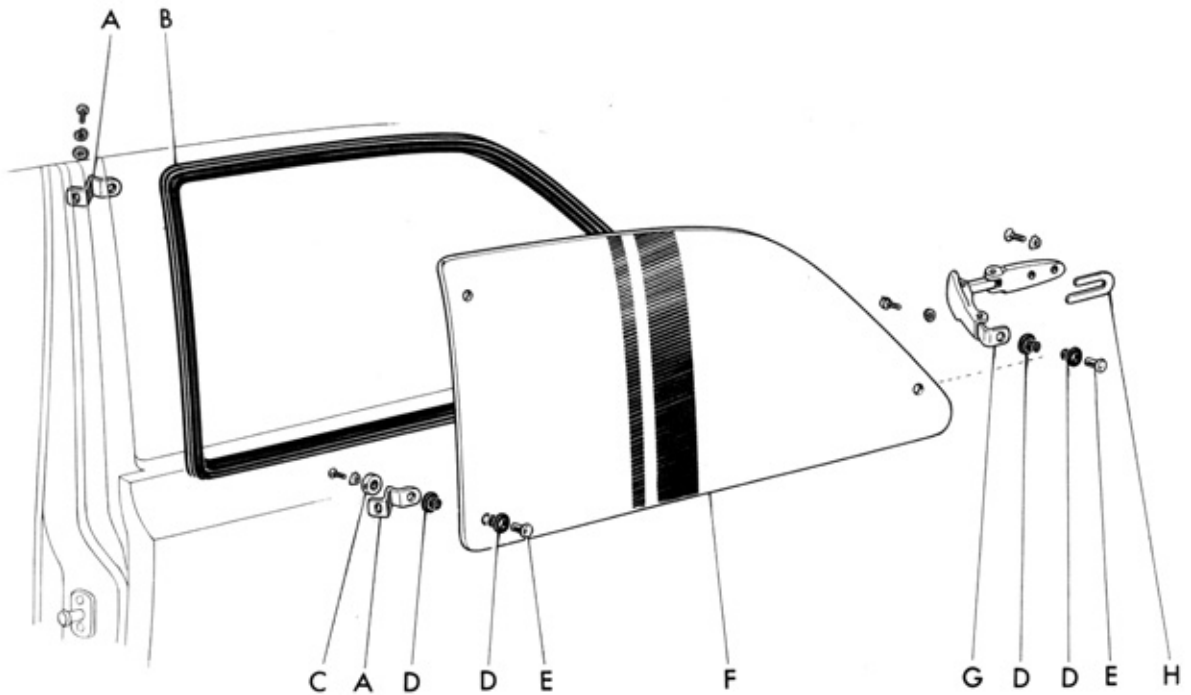
Fig.1-54 Door Lock Remote Control Removal V0424

Installation

Follow the removal procedures in the reverse order. Ensure that the small end of the conical spring is toward the door panel.

* * * * *

QUARTER WINDOW



- A. Hinge plate
- B. Weatherstrip
- C. Hinge finish plate
- D. Hinge packing

- E. Hinge retainer
- F. Glass
- G. Lock
- H. Lock support spacer

Fig.1-55 Quarter Window Components

Y2164

Removal

Remove the screws securing the hinge and lock to the body, then remove the quarter window.

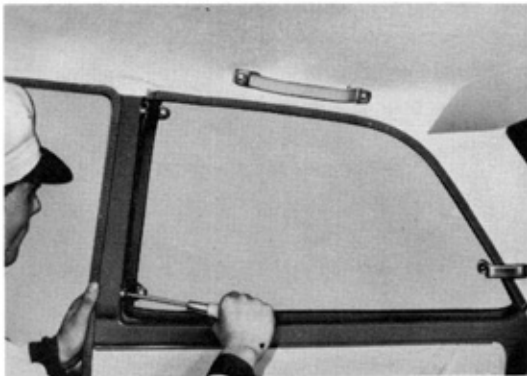


Fig.1-56 Quarter Window Removal

V0925

Quarter Window Glass Replacement

Remove the screws securing the hinge and lock to the glass, and replace the glass.

To install, follow the removal procedures in the reverse order.

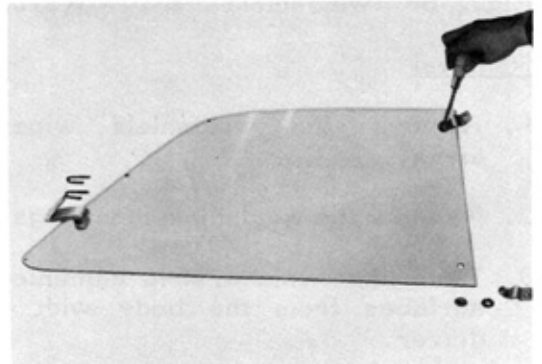


Fig.1-57 Glass Replacement V0926

Installation

Follow the removal procedures in the reverse order.

Adjustment

1. Align the position of the quarter window by moving the hinge or the lock.
2. To adjust the quarter window for a proper contact with the weatherstrip, increase or decrease the quarter window lock spacer.

Spacer thickness:
1.5 mm (0.06")

FRONT WINDSHIELD GLASS

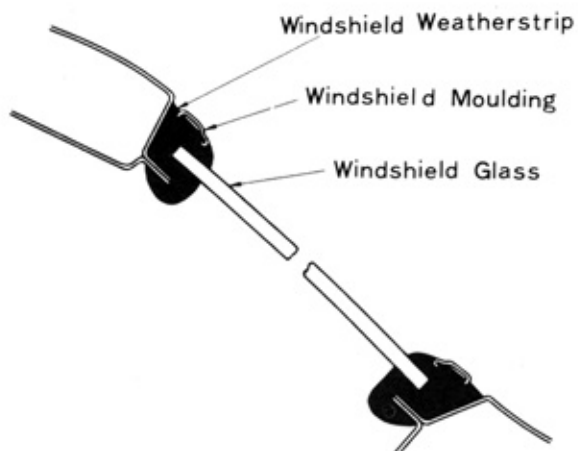


Fig.1-58 Windshield X5705

Removal

1. Remove the windshield wiper arms.
2. Remove the windshield mouldings.
3. Tear the weatherstrip cemented surfaces from the body with a driver.



Fig.1-59 Weatherstrip Cemented Surface Tearing V0927

4. Drive out the weatherstrip with a suitable tool from inside the car while pushing the windshield glass outwards.
5. Remove the windshield glass with the weatherstrip.

Installation

Before installing the windshield glass, clean off the old adhesive cement thoroughly from the windshield glass and body.

1. Install the weatherstrip onto the windshield glass. Replace the weatherstrip with a new one.
2. Insert the cord around the windshield weatherstrip. The cord should overlap at the center portion of the glass as illustrated in the figure 1-60.

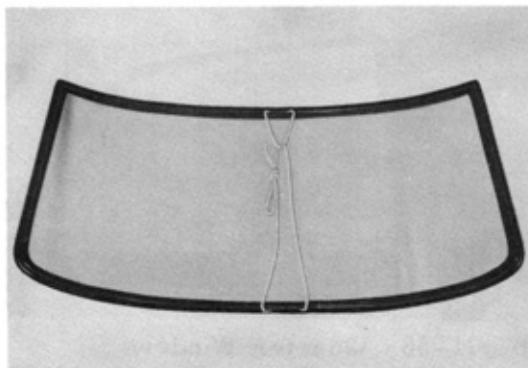


Fig.1-60 Cord Installation V0928

3. Position the windshield glass onto the body properly, and place the cord ends inside the body.

To facilitate the procedure, apply water and soap lightly onto the body and weatherstrip.

It needs two mechanics to follow the procedures.

4. Pull the cord end at right angle from the inside while tapping the outside of the glass lightly with a hand in accordance with the movement of the cord pulled.

In this case, the installation of the glass should be from the bottom center portion of the glass.



Fig.1-61 Glass Installation V0929



Fig.1-62 Weatherstrip Installation V0930

5. Apply adhesive cement between the weatherstrip and the body, and also between the weatherstrip and the glass.

To facilitate cleaning after applying the cement, attach a suitable tape onto the glass and the body.



Fig.1-63 Applying Adhesive Cement V0931

6. Install the windshield outside moulding.

7. Install the windshield wiper arms.

BACK WINDOW GLASS

To remove and install the glass and weatherstrip, refer to the "FRONT WINDSHIELD GLASS" on the page 1-22 to 1-23.



Fig.1-64 Back Window Glass Removal V0932

WEATHERSTRIP

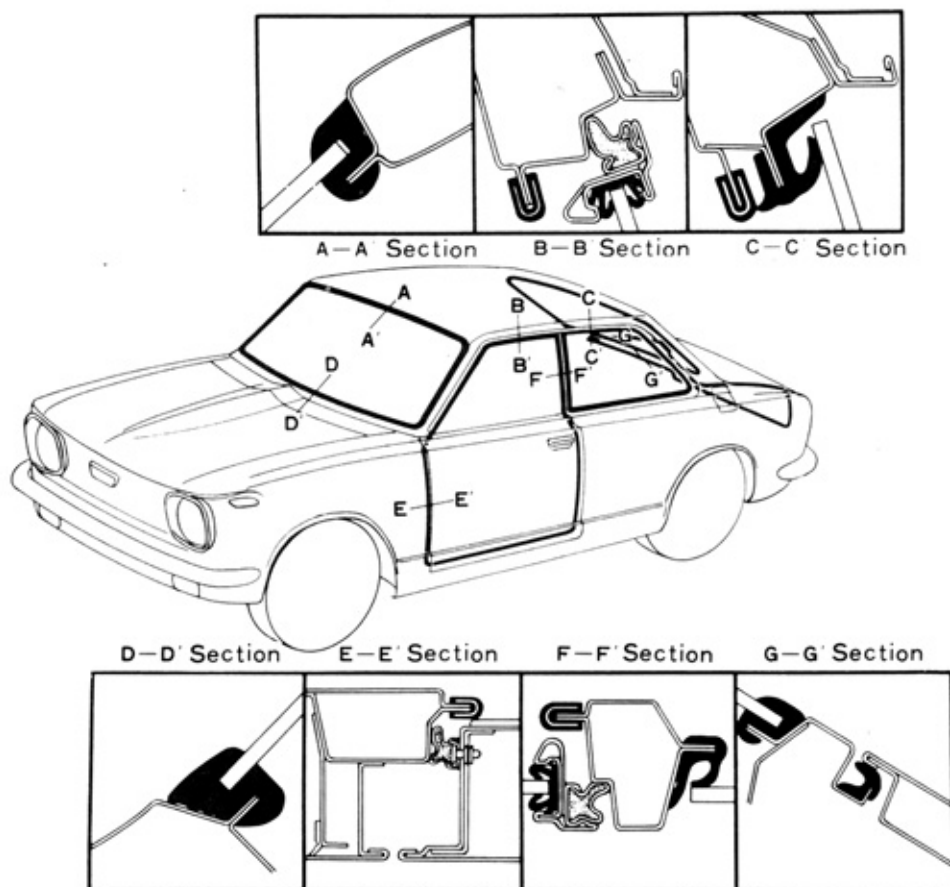


Fig.1-65 Body Weatherstrip

Y2165

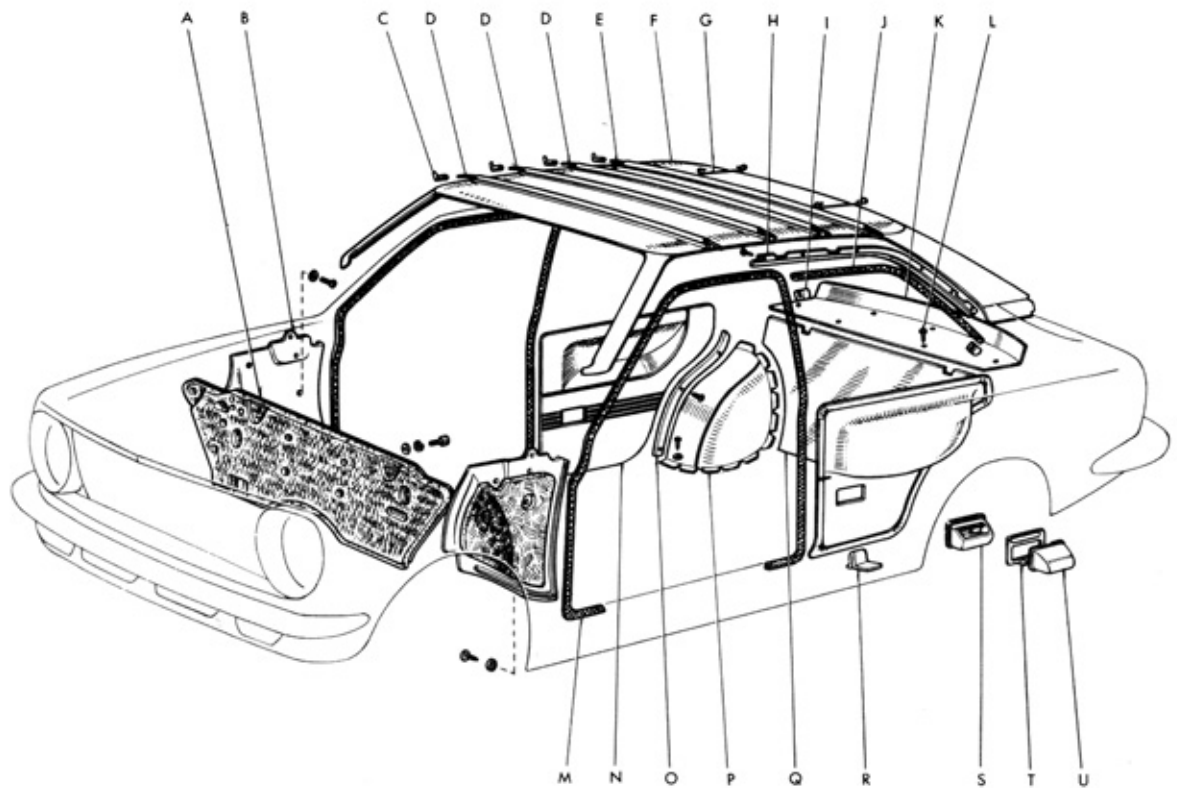
Inspection

1. Inspect the weatherstrip for leak by shower test.
If leaky, repair it.
2. Inspect the weatherstrip for wrinkle, detaching, deformation and damage.
If necessary, repair or replace the weatherstrip.

Attachment

1. Clean off oil and dirt from the cemented surface, and dry it.
2. Apply adhesive cement onto the surface to be cemented and weatherstrip evenly, and dry them.
3. Install the weatherstrip with a finger pressure applied onto it.

BODY INTERIOR



- | | |
|--|-----------------------------------|
| A. Dash panel trim board | K. Package tray trim panel |
| B. Cowl side trim board | L. Package tray trim retainer |
| C. Roof headlining support retainer | M. Door opening trim |
| D. Roof headlining support No.1 | N. Quarter trim panel |
| E. Roof headlining support No.2 | O. Rear wheel house trim moulding |
| F. Roof headlining | P. Wheel house cover |
| G. Roof headlining support hook | Q. Room partition trim |
| H. Quarter window inside trim retainer | R. Quarter trim retainer |
| I. Quarter window inside trim cover | S. Rear ash receptacle |
| J. Quarter window inside trim | T. Ash receptacle outer retainer |
| | U. Ash receptacle inner retainer |

Fig.1-66 Body Interior Components

Y2166

ROOF HEADLINING

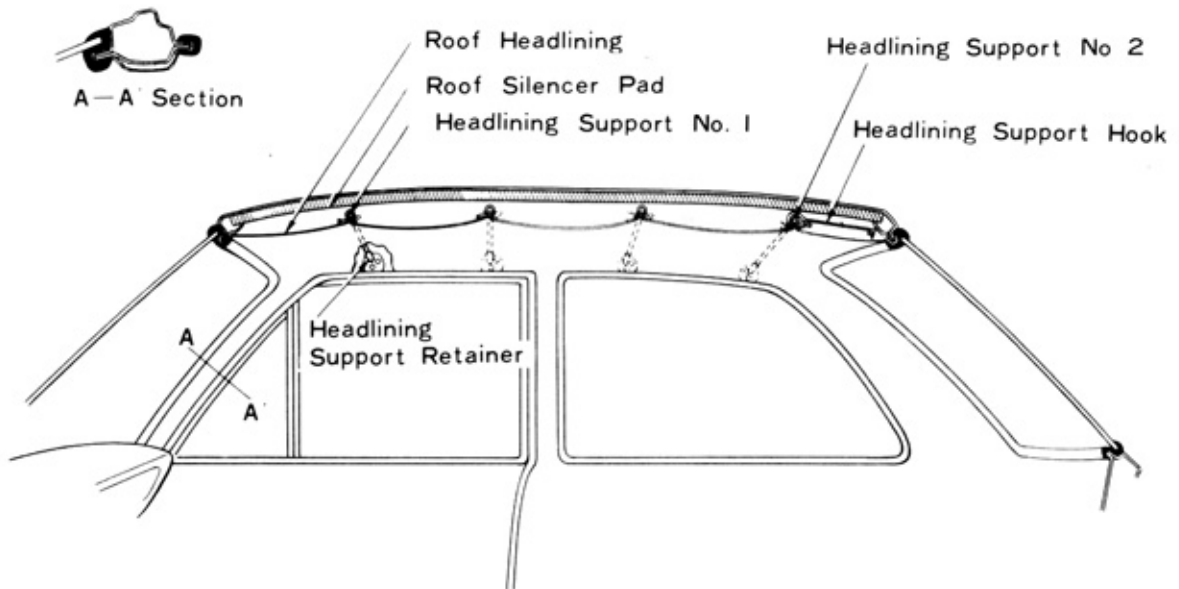


Fig.1-67 Roof Headlining

Y2167

Removal

1. Refer to the page 1-22 and 1-23, and remove the front windshield glass and back window glass.
2. Refer to the page 1-21, and remove the quarter window glass.
3. Remove the rear seat back, then remove the package tray trim panel.
4. Remove the visor and inner rear view mirror.
5. Remove the door opening trims, quarter window inside trims, and quarter window weatherstrips.
6. Tear the cemented surface of the headlining from the body, and remove the headlining with the headlining supports from the body.
7. Remove the headlining supports from the headlining.



Fig.1-68 Weatherstrip Removal V0933



Fig.1-69 Headlining Removal V0934

Installation

1. Insert the headlining supports through the headlining.
2. Install the headlining support retainers onto the proper attaching hole of the body.

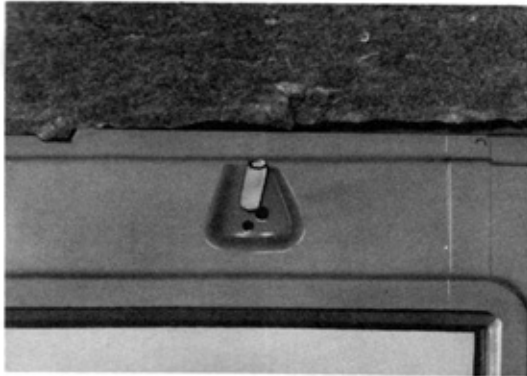


Fig.1-70 Support Retainer Installation V0935

3. Install the headlining supports onto the headlining support retainers.



Fig.1-71 Headlining Installation V0936

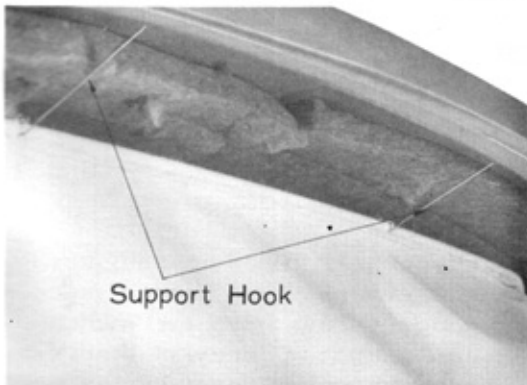


Fig.1-72 Support Hook Installation V0937

4. Install the headlining support hooks onto the headlining supports and the rear portion of the roof.
5. Apply adhesive cement onto the headlining contacting surface of the body.
6. Set the headlining at the front pillar, center pillar and rear pillar. Stretch the headlining evenly to both the left and right sides.
7. Cut the excessive headlining overlapping the cemented portion.
8. Install the quarter window weatherstrips.
9. Install the door trims and quarter window inside trims.
10. Install the visor and inner rear view mirror.



Fig.1-73 Inner Rear View Mirror Installation V0938

11. Install the package tray trim panel and rear seat back.
12. Install the quarter windows.
13. Install the front windshield glass and back window glass.
14. After installing the headlining components, check them for wrinkles. If any wrinkle is found, warm them with an infrared light or something like that for 0.5 to 1.0 minute.

COWL SIDE TRIM BOARD

Removal

1. Remove the instrument panel under tray if installed.

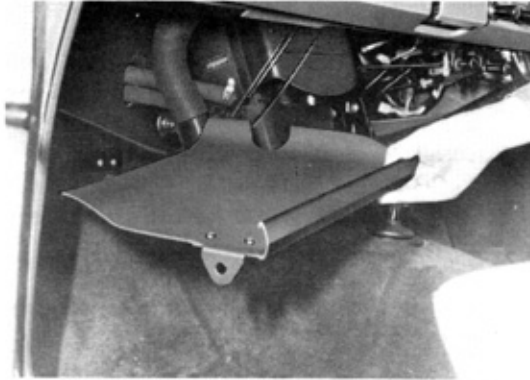


Fig.1-74 Instrument Panel Under Tray Removal V0939

2. Remove the hood lock release lever and cowl side trim board attaching screws, then remove the cowl side trim board.

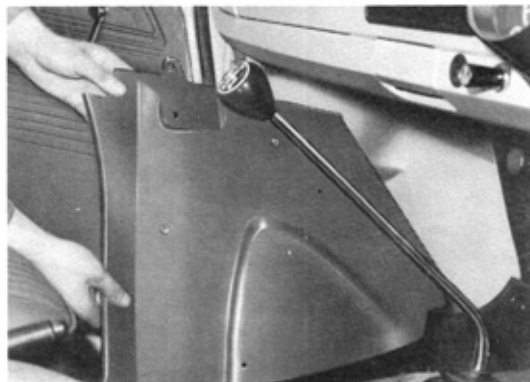


Fig.1-75 Cowl Side Trim Board Removal V0940

Installation

Follow the removal procedures in the reverse order.

DASH PANEL TRIM BOARD

Removal

1. Remove the instrument panel under tray if installed.
2. Remove the heater if installed by

referring to the page 4-4.

3. Refer to the page 3-8, and remove the turn signal switch and the steering housing from the column tube.

In this case, do not lose the steering housing clamp installed onto the column tube to relocate the steering housing correctly.

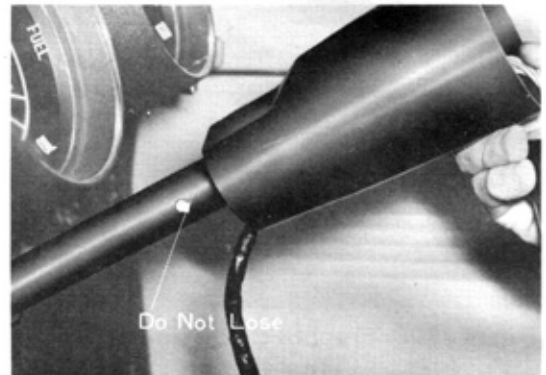


Fig.1-76 Steering Housing Removal V0865

4. Remove the steering column clamp from the instrument panel by removing the two attaching bolts.

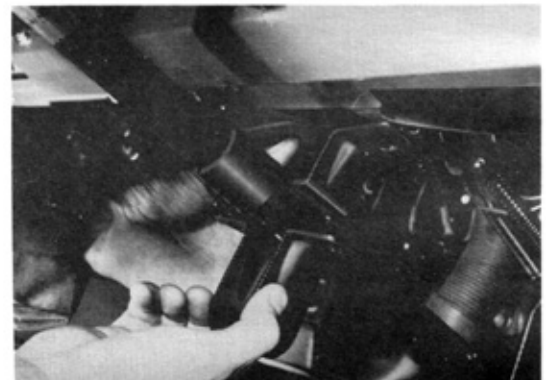


Fig.1-77 Steering Column Clamp Removal V0869

5. Disconnect the speedometer drive cable from the clamp installed on the steering post.
6. Disconnect the oil pressure switch and water temperature sending gauge wiring from the switch and the gauge to prevent them from damaging when removing the steering post.

7. Jack up the front side of the vehicle and secure it with stands, then remove the pitman arm from the sector shaft with the Pitman Arm Puller 09610-12010.



Fig.1-78 Pitman Arm Removal V0871

8. Remove the engine under cover.

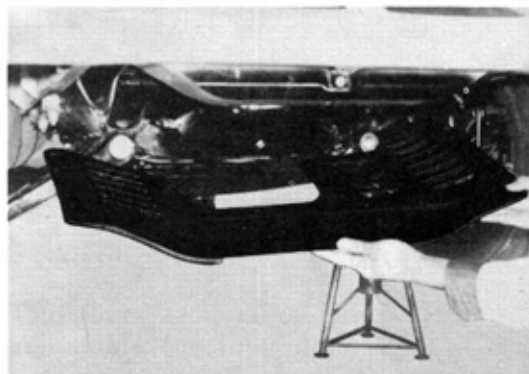


Fig.1-79 Engine Under Cover Removal V0872

9. Remove the three bolts securing the steering gear housing to the body front side member.



Fig.1-80 Steering Post Removal V0874

10. Remove the steering post.
11. Remove the pedal support assembly.
12. Disconnect the wirings around the fuse box and combination meter.
13. Disconnect the hood lock control cable and choke wire.
14. Remove the dash panel trim board clamp, and remove the dash panel trim board.



Fig.1-81 Dash Panel Trim Board Removal V0941

Installation

Follow the removal procedures in the reverse order.

QUARTER TRIM PANEL

Removal



Fig.1-82 Quarter Trim Panel Removal V0943

1. Remove the rear seat cushion and wheel house moulding.
2. Remove the door opening trim and quarter trim retainer.
3. Detach the cemented surface of the quarter trim panel to the body, and remove the quarter trim panel.

Installation

Follow the removal procedures in the reverse order.

PACKAGE TRAY TRIM PANEL

Removal

1. Remove the rear seat back.
2. Remove the six package tray trim

COWL VENTILATOR

retainers (1), and remove the package tray trim panel(2).

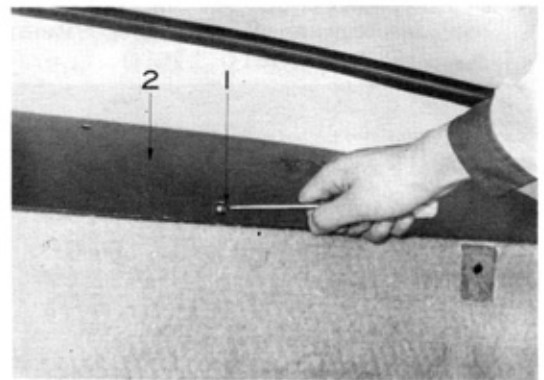
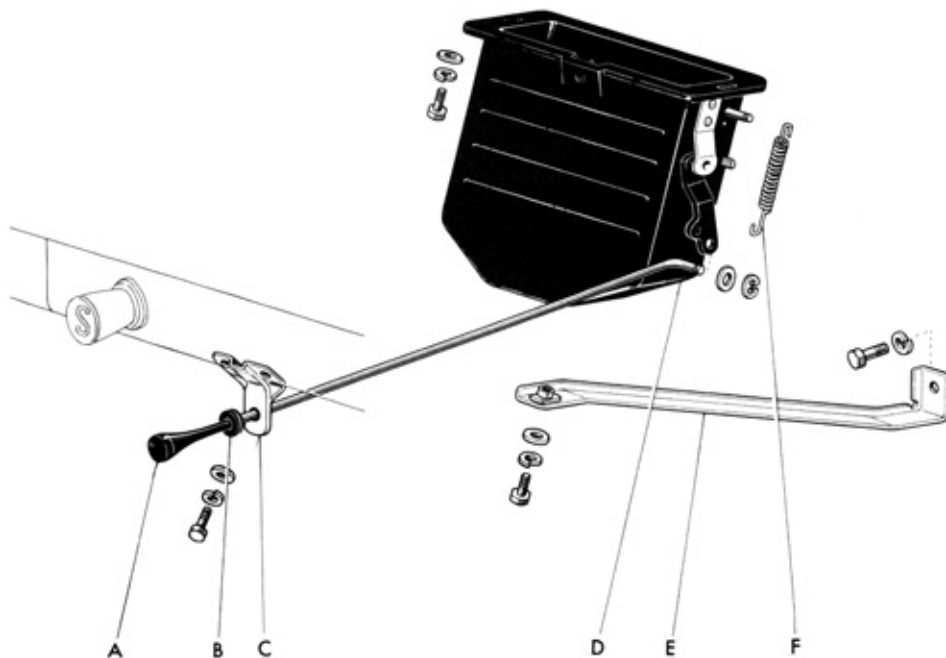


Fig.1-83 Package Tray Trim Panel Removal V0944

Installation

Follow the removal procedures in the reverse order.



- A. Cowl ventilator control rod
- B. Grommet
- C. Cowl ventilator rod bracket

- D. Cowl ventilator duct
- E. Cowl ventilator bracket
- F. Tension spring

Fig.1-84 Cowl Ventilator Components

Removal

1. Remove the cowl ventilator rod bracket from the body.
2. Remove the four attaching bolts, and remove the cowl ventilator duct.

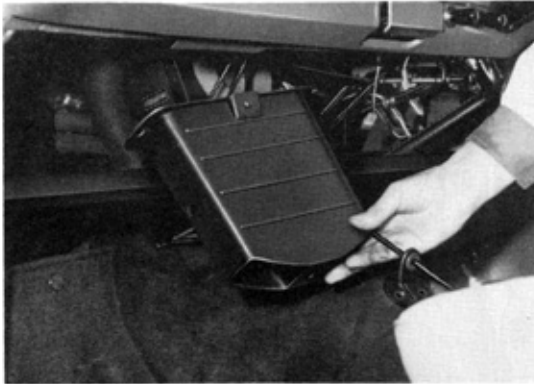


Fig. 1-85 Cowl Ventilator Removal V0946

Installation

Follow the removal procedures in the reverse order.

FRONT SEAT

The front seat is of cam type and is adjustable for four desired positions.

Removal & Installation

Remove the four attaching bolts, then the front seat. To install, reverse the removal procedures.

Seat Track Inspection

1. Inspect the seat track for smooth operation by moving the seat back and forth.
If necessary, apply grease to the seat track.

Back-and-forth Adjustment:
120 mm (4.7")

2. Inspect the seat track adjusting handle for wear.
If defective, repair or replace it.

Seat Track Removal & Installation

Remove the two attaching bolts, and remove the seat track. To install, follow the removal procedures in the reverse order.

Front Seat Back Adjustment

To adjust the front seat back, remove the stopper hook, and turn the stopper cam with a hand to adjust the back to the proper position.

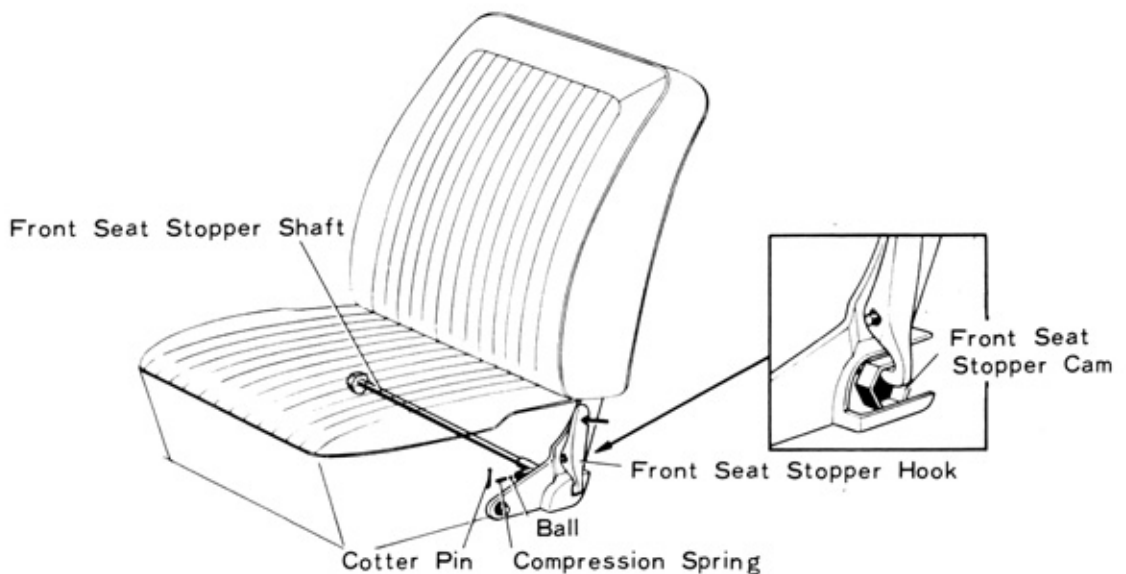


Fig. 1-86 Front Seat Back Adjustment

1-32 BODY - Rear Seat & Seats (Full Reclining Type)

REAR SEAT

Removal

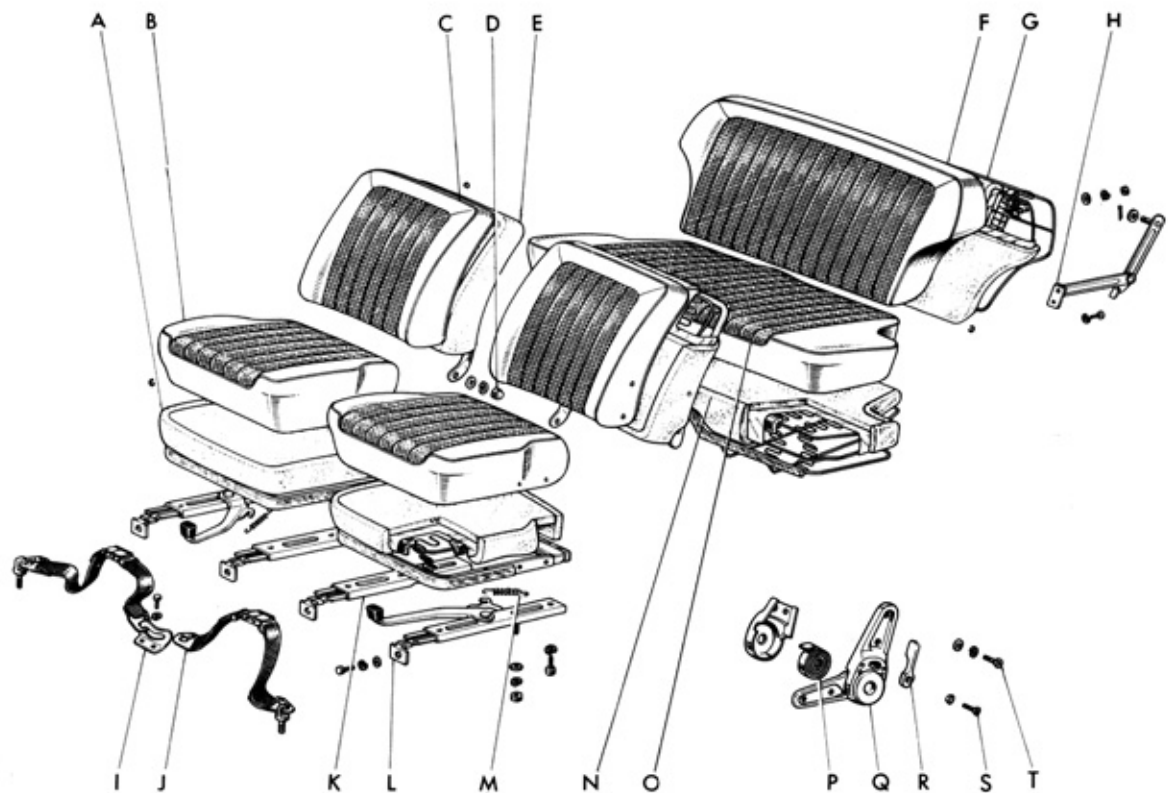
1. Remove the both right and left rear seat back stay cotter pins.

2. Remove the rear seat back attaching nuts from the inside of the luggage compartment, and remove the rear seat.

Installation

Reverse the removal procedures.

SEATS (Full Reclining type - Available Equipment)



- A. Front seat cushion
- B. Front seat cushion cover
- C. Front seat back cover
- D. Cap nut
- E. Front seat back
- F. Rear seat back cover
- G. Rear seat back
- H. Rear seat back stay
- I. Front seat lap type harness R:H.
- J. Front seat lap type harness L.H.

- K. Seat inner track
- L. Seat outer track
- M. Tension spring
- N. Rear seat cushion
- O. Rear seat cushion cover
- P. Spiral spring
- Q. Reclining seat back adjuster
- R. Reclining adjusting handle
- S. Screw
- T. Screw

Fig.1-87 Seats Components

Y2170

FRONT SEAT (AVAILABLE EQUIPMENT)

The front seat is of full-reclining type and can be adjusted for sixteen desired positions. The seat back can be tilted toward the front by pulling the adjusting handle to make getting in and out the rear seat easy.

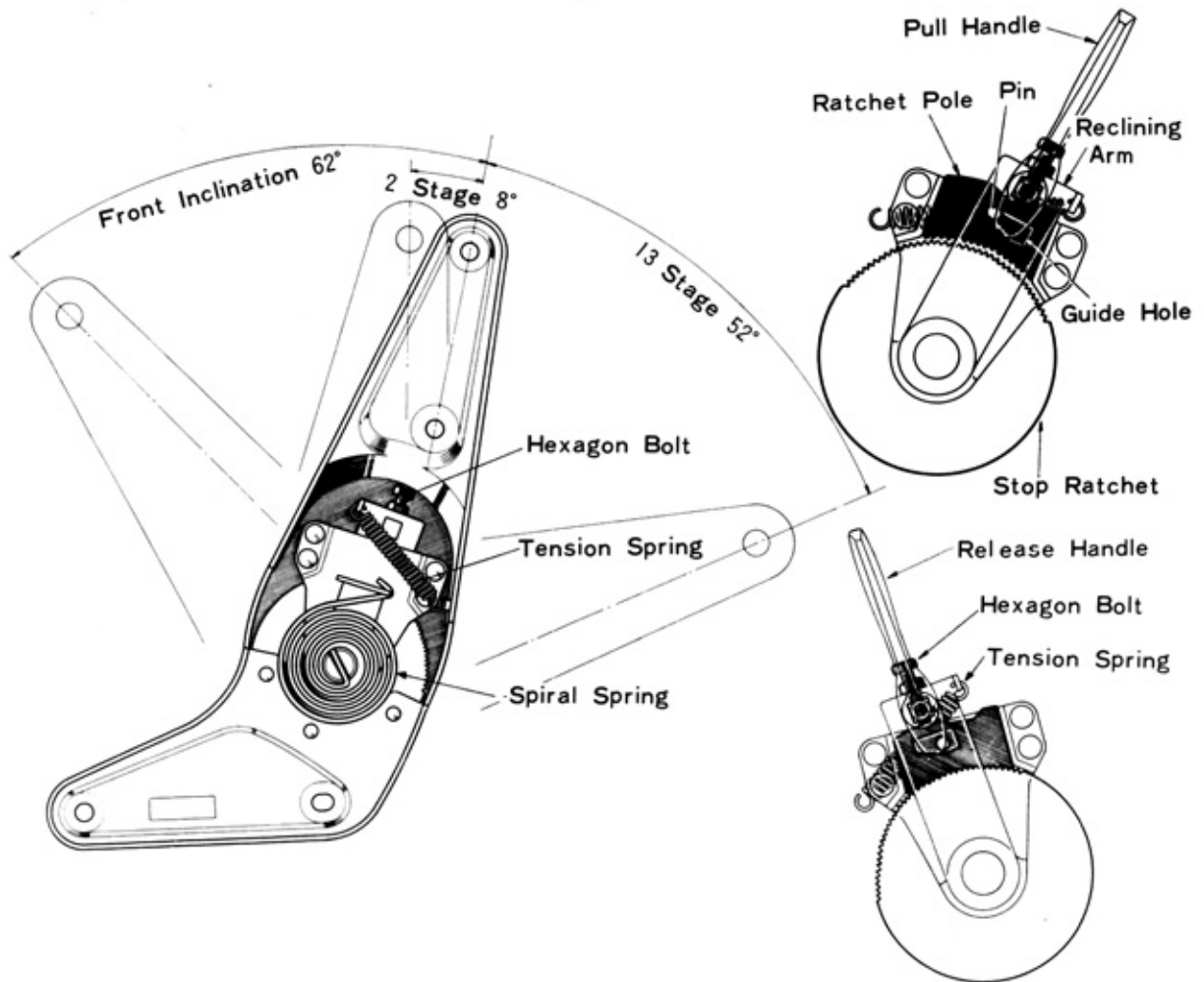


Fig.1-88 Reclining Seat Back Adjuster Construction Z0407, X5707, X5708

As the adjusting handle is pulled, the pin installed onto the ratchet pole is raised along the guide hole of the reclining arm, and accordingly, the stop ratchet is released from the ratchet pole. At this condition, seat back is adjustable to the back and forth positions, and is tilted toward the front by the tension of the spiral spring.

As the adjusting handle is released, the reclining arm is pulled by the tension spring, and the ratchet pole

is pushed down by the lower end of the hexagon bolt, and meshes with the stop ratchet.

In this case, the hexagon bolt should be correctly adjusted.

Removal & Installation

Remove the front seat by removing the four attaching bolts.

To install, reverse the removal procedures.

Front Seat Track Inspection

1. Inspect the seat track for operation by moving the seat back and forth.
If necessary, apply grease onto the seat track.

Back-and-forth Adjustment:
120 mm (4.7")

2. Inspect the seat track adjusting handle for wear.
If defective, repair or replace it.

Seat Track Removal & Installation

To remove the seat track, remove the two attaching bolts. To install, reverse the removal procedures.

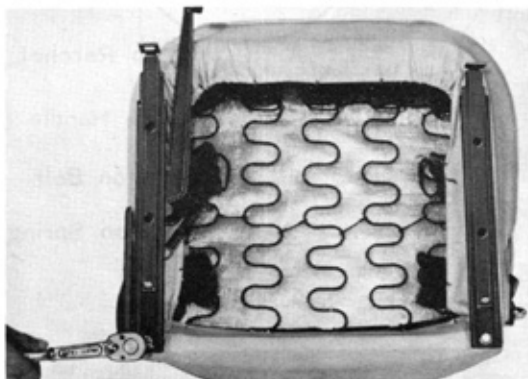


Fig.1-89 Seat Track Removal V0947

Reclining Seat Back Adjuster Inspection & Adjustment

To remove the reclining seat back adjuster, remove the four attaching screws. To install reverse the removal procedures.

1. Inspect the stop ratchet gear for wear.
If excessively worn, replace it.
2. Inspect the spiral spring for wear.
If excessively worn, replace it.
3. To adjust the hexagon bolt, loosen the lock nut, screw in the bolt

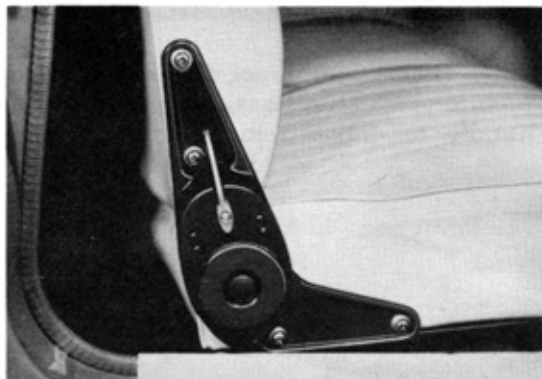


Fig.1-90 Back Adjuster Removal V0948

all the way and screw out it 1/6 turn, then lock by the lock nut.

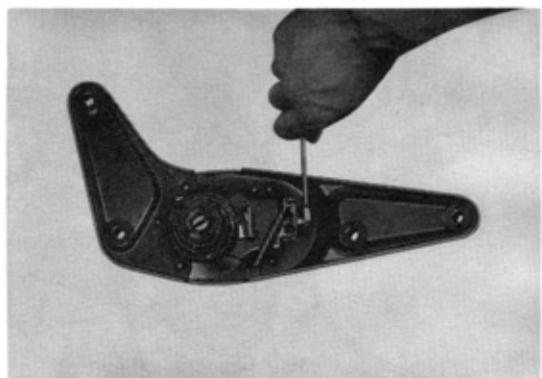


Fig.1-91 Back Adjuster Adjustment V0949

REAR SEAT (Available Equipment)

To remove and install the rear seat, refer to the page 1-32.

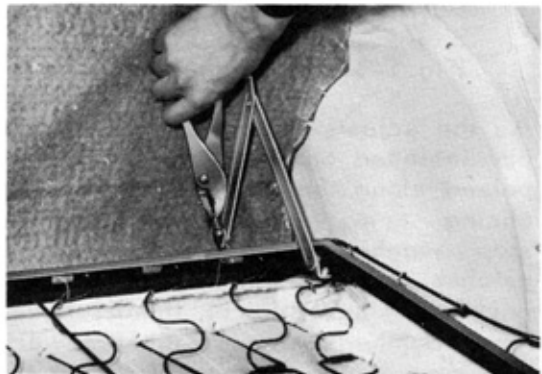
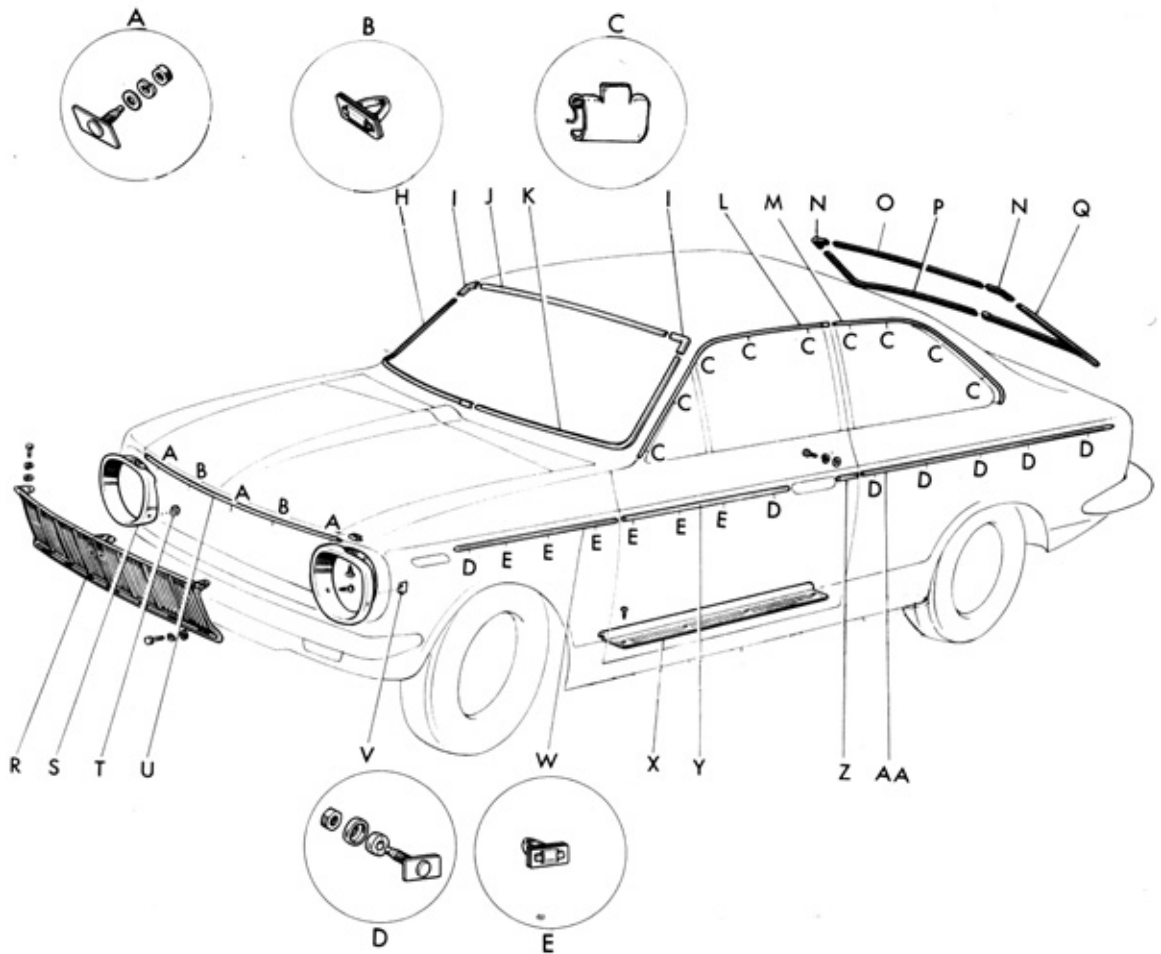


Fig.1-92 Rear Seat Removal V0950

BODY EXTERIOR



- | | |
|---|---|
| <p>A. Front moulding retainer</p> <p>B. Outside moulding retainer</p> <p>C. Roof drip side finish moulding retainer</p> <p>D. Outside moulding retainer</p> <p>E. Outside moulding retainer</p> <p>F. Rocker panel moulding retainer No.1</p> <p>G. Rocker panel moulding retainer No.2</p> <p>H. Windshield outside moulding R.H.</p> <p>I. Windshield outside moulding joint upper cover</p> <p>J. Windshield outside upper moulding</p> <p>K. Windshield outside moulding L.H.</p> <p>L. Roof drip side finish front moulding</p> <p>M. Roof drip side finish rear moulding</p> <p>N. Back window outside moulding joint upper cover</p> | <p>O. Back window outside upper moulding</p> <p>P. Back window outside moulding R.H.</p> <p>Q. Back window outside moulding L.H.</p> <p>R. Radiator grille</p> <p>S. Headlight door</p> <p>T. Lock nut</p> <p>U. Radiator grille opening upper moulding</p> <p>V. Headlight door spring</p> <p>W. Front fender side moulding</p> <p>X. Step plate</p> <p>Y. Door outside moulding No.1</p> <p>Z. Door outside moulding No.2</p> <p>AA. Quarter panel outside moulding</p> |
|---|---|

Fig.1-93 Moulding Components

FENDER SIDE MOULDING

Removal

1. Remove the moulding retainer attaching nut from the inside of the body.
2. Remove the moulding by pulling it outward.



Fig.1-94 Fender Side Moulding Removal V0951

Installation

Follow the removal procedures in the reverse order.

NOTE: The removal and installation of the door outside moulding, quarter panel outside moulding and rocker panel moulding are just the same as the fender side moulding removal and installation.

ROOF DRIP SIDE FINISH MOULDING (if installed)

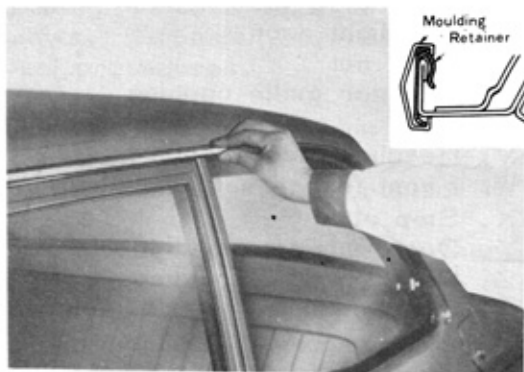


Fig.1-95 Roof Drip Side Finish Moulding Removal V0952 X5709

Removal

Remove the roof drip side finish moulding upward.

Installation

Follow the removal procedures in the reverse order.

WINDSHIELD OUTSIDE MOULDING

Removal

Remove the windshield outside moulding joint upper cover, and remove the windshield outside mouldings.



Fig.1-96 Windshield Outside Moulding Removal V0953

Installation

Position the windshield outside moulding onto the groove of the weatherstrip, and install the moulding with a tool illustrated in the figure 1-97.

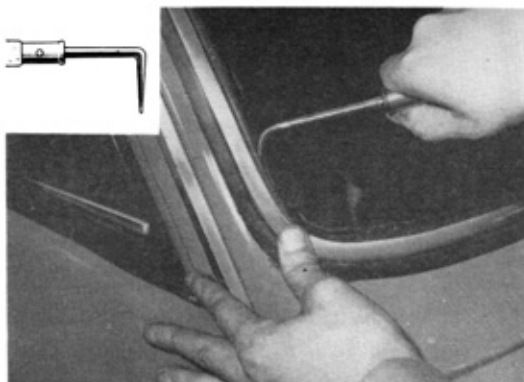


Fig.1-97 Windshield Outside Moulding Installation X5710

FRONT BUMPER

Removal

1. Remove the four front bumper stay attaching bolts.
2. Remove the two front bumper side retainer attaching bolts, and remove the bumper.

Installation

Reverse the removal procedures.

REAR BUMPER

To remove and install the rear bumper, refer to the "Front Bumper".

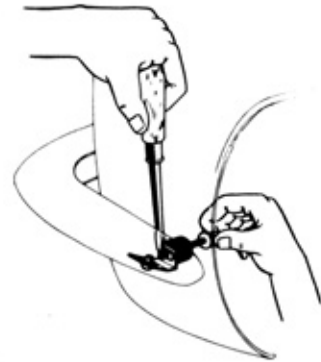
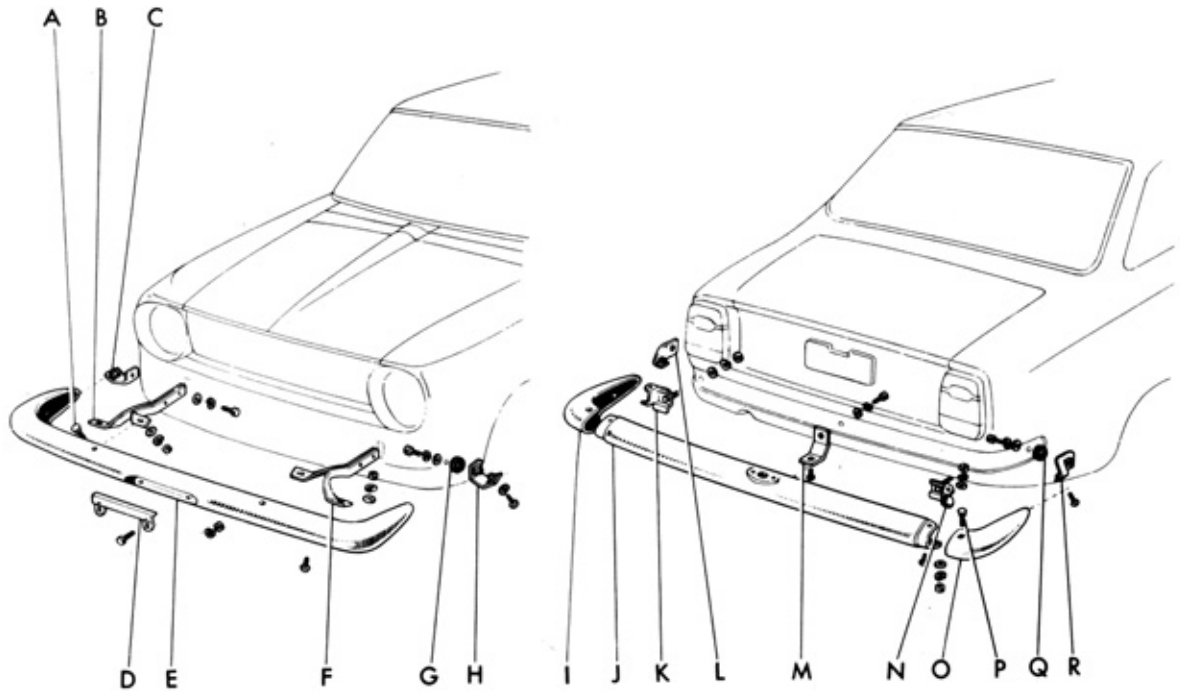


Fig.1-98 Front Bumper Installation X5711



- A. Round head square neck bolt
- B. Front bumper stay R.H.
- C. Front bumper side retainer R.H.
- D. Front license plate bracket
- E. Front bumper bar
- F. Front bumper stay L.H.
- G. Cushion
- H. Front bumper side retainer L.H.
- I. Rear bumper side bar L.H.

- J. Rear bumper center bar
- K. Rear bumper stay L.H.
- L. Rear bumper side retainer L.H.
- M. Rear bumper center bracket
- N. Rear bumper stay R.H.
- O. Rear bumper side bar R.H.
- P. Round head square neck bolt
- Q. Cushion
- R. Rear bumper side retainer R.H.

Fig.1-99 Bumper Components

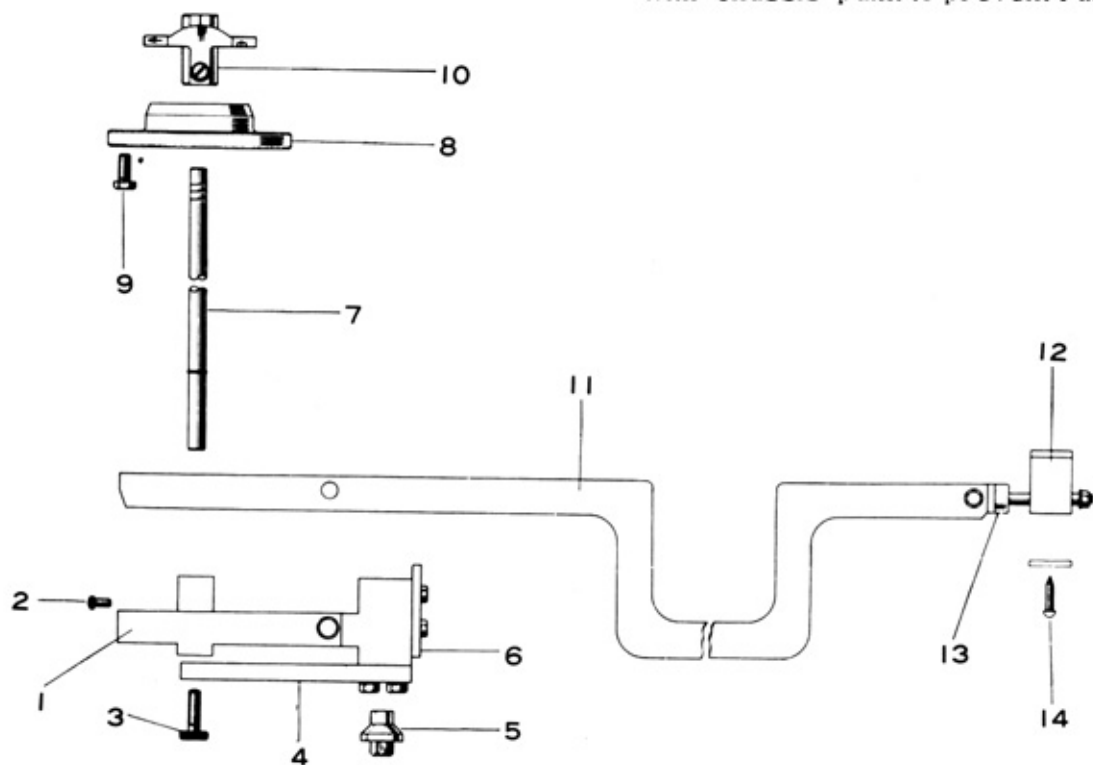
Y2172

FRONT FENDER APRON &
FLOOR PANEL

When a clash or overturn is experienced by an accident, the fender apron and floor pan may be bent or twisted. In this case, refer to the figure 1-105 and also figure 1-106, and repair them.

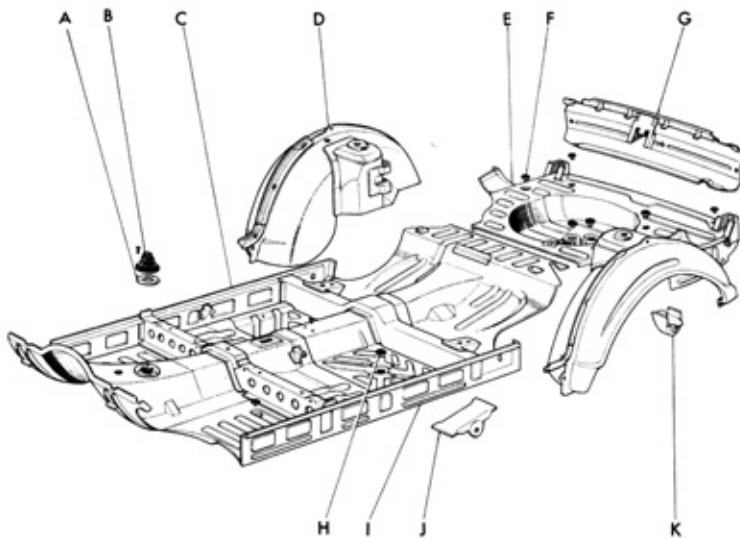
If the front suspension cross member is bent or twisted, refer to the figure 1-107, and repair it.

The distorted front fender apron particularly affects the front wheel alignment, and would cause abnormal tire wear. Check and repair the relative position of the fender apron side frame and the suspension upper support by use of Front Suspension Gauge (09772-12010).

Repair for Crack

1. To prevent the crack to extend, drill a hole which has 3 to 4 mm diameter on the end of the crack.
2. Grind the cracked portion with a portable grinder in a V shape. Clean the crack thoroughly, and arc-weld the crack.
3. If the crack is too large to be repaired by arc-welding only, patch the cracked portion with the same thickness plate to the floor side member, and arc-weld the patch plate.
4. After welding, remove the sealing, and paint the patched portion with chassis paint to prevent rust.

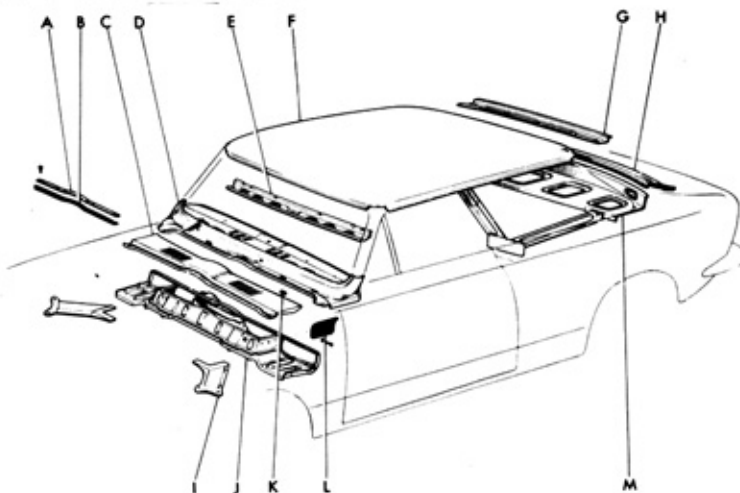
Fig.1-100 Front Suspension Gauge



- | | |
|------------------------------|--------------------------|
| A. Shift lever boot retainer | G. Body lower back panel |
| B. Shift lever boot | H. Hole plug |
| C. Center floor panel | I. Rocker inner panel |
| D. Quarter wheel house panel | J. Spring bracket No.3 |
| E. Rear floor panel | K. Spring bracket No.4 |
| F. Hole plug | |

Fig.1-101 Floor Panel & Wheel House Panel Components Y2174

ROOF PANEL & SIDE PANEL



- | | |
|---|-------------------------------------|
| A. Hood to cowl top weatherstrip retainer | G. Back window upper panel |
| B. Hood to cowl top weatherstrip | H. Upper back panel |
| C. Cowl ventilator louver | I. Front fender apron to cowl brace |
| D. Cowl top rear panel | J. Cowl top front panel |
| E. Windshield head inner panel | K. Cowl panel outer cap |
| F. Roof panel | L. Cowl top reinforcement seal |
| | M. Package tray panel |

Fig.1-102 Roof Panel & Cowl Panel Components Y2175

1-40 BODY - Roof Panel & Side Panel

When the side panel and roof panel are distorted and dented by an accident, straighten and correct them. If excessively damaged, refer to the figure 1-108, cut each panel from the body, and weld the new panel.

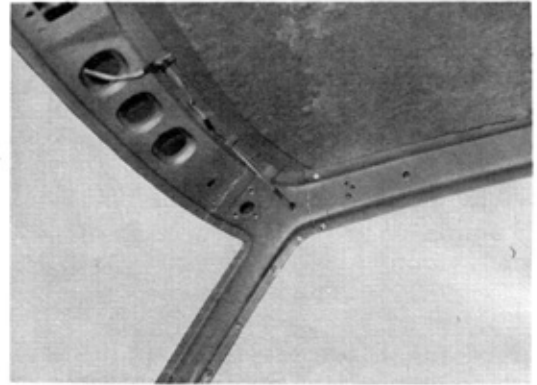
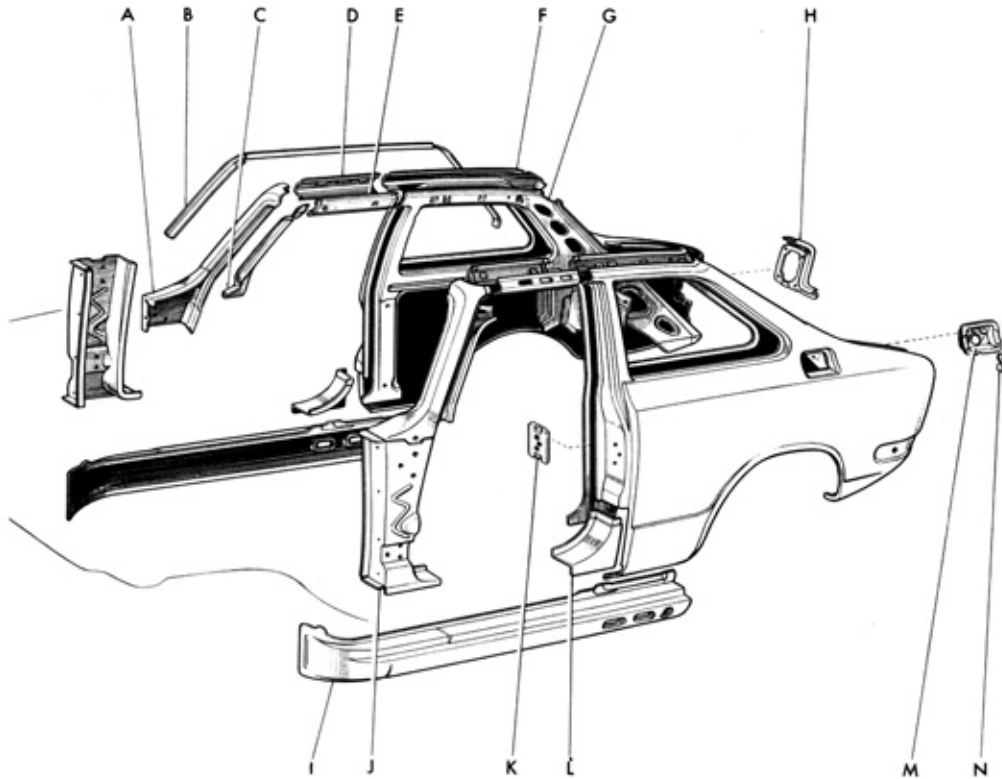


Fig.1-103 Front Pillar Welding
V0955



- A. Front pillar outer upper panel
- B. Roof drip side channel
- C. Front pillar inner panel
- D. Roof side outer rail
- E. Roof side inner rail
- F. Roof side outer panel
- G. Roof side inner panel

- H. Roof side rear plate
- I. Rocker outer panel
- J. Front pillar
- K. Door lock striker retainer
- L. Roof side outer front lower plate
- M. Fuel inlet box
- N. Fuel inlet box cover lock striker

Fig.1-104 Roof Side Panel & Side Member

Y2176

UNDER BODY DIMENSIONED DIAGRAM

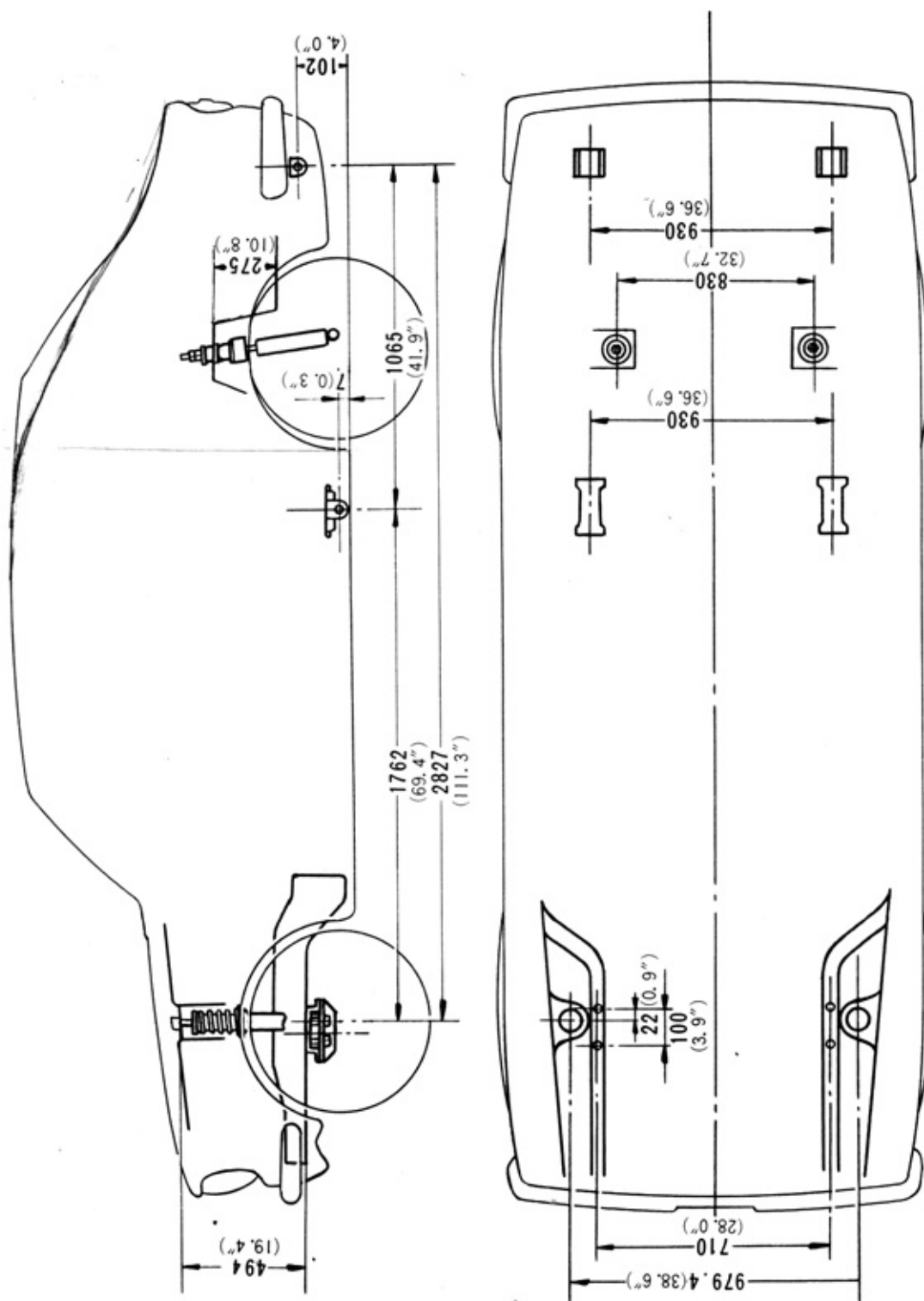


Fig.1-105 Under Body Dimensioned Diagram

X6052

FENDER APRON DIMENSIONED DIAGRAM

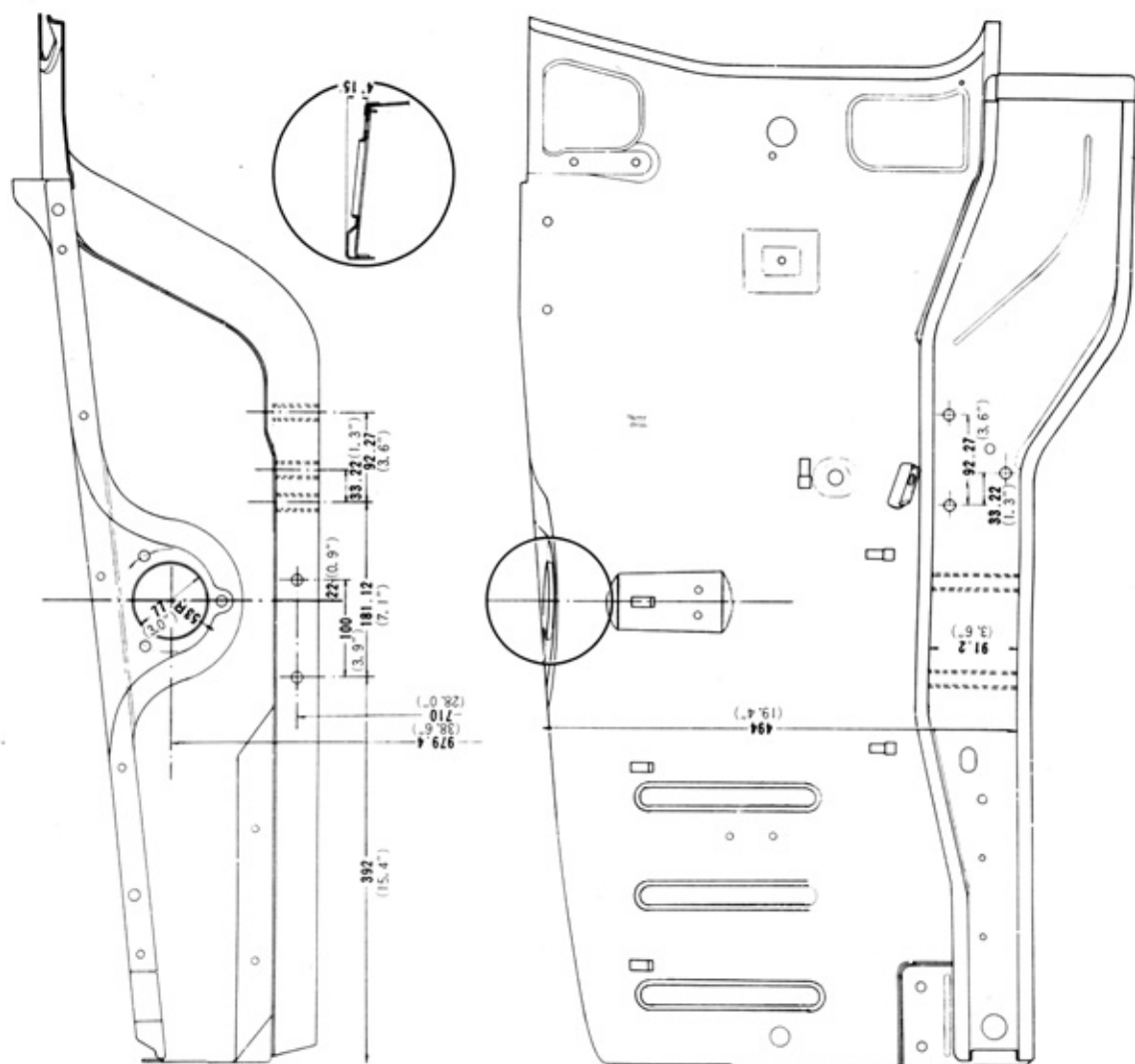


Fig.1-106 Fender Apron Dimensioned Diagram

X0422

FRONT SUSPENSION CROSS MEMBER DIMENSIONED DIAGRAM

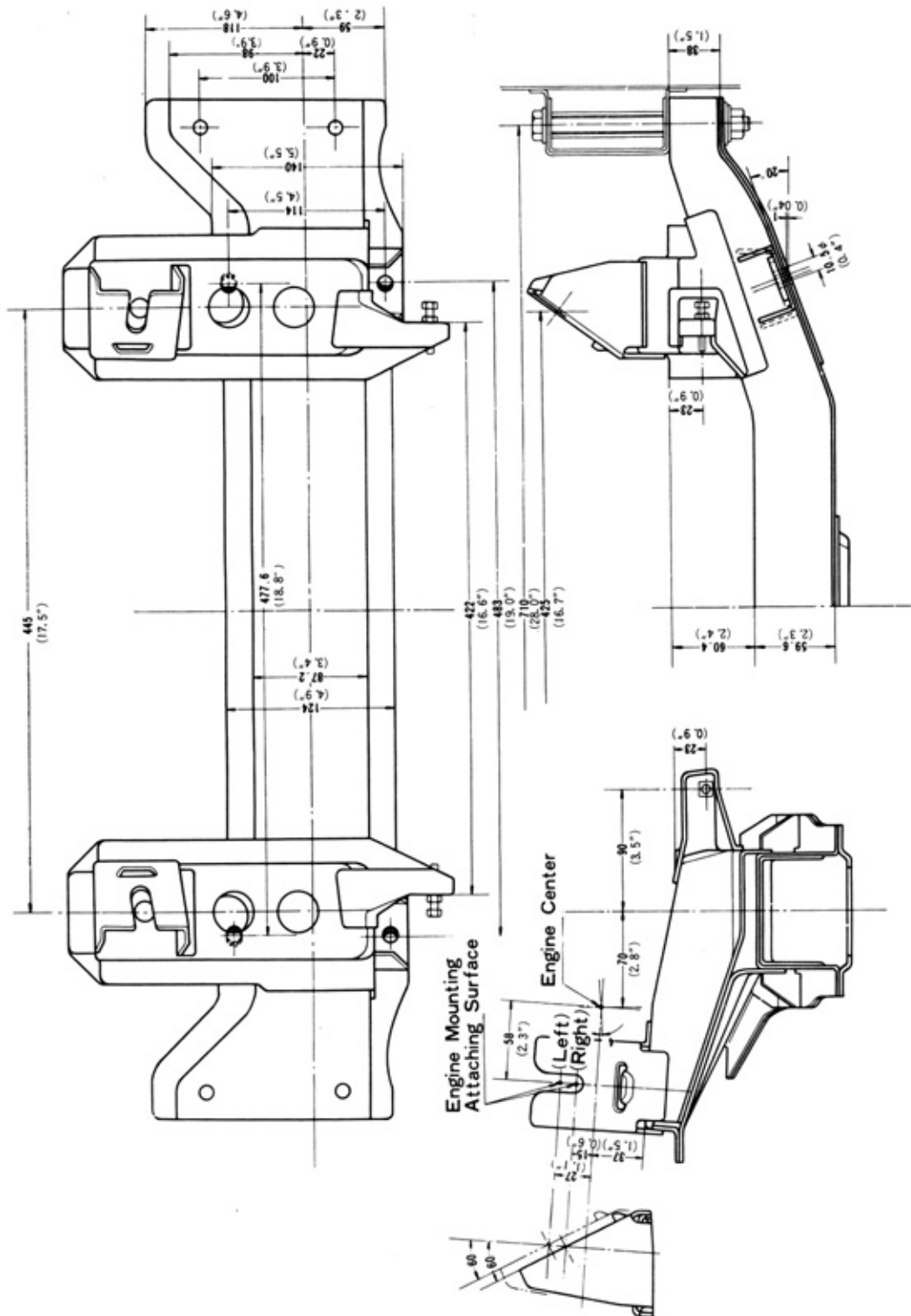


Fig.1-107 Front Suspension Cross Member Dimensioned Diagram Z0423

MAIN BODY WELDING

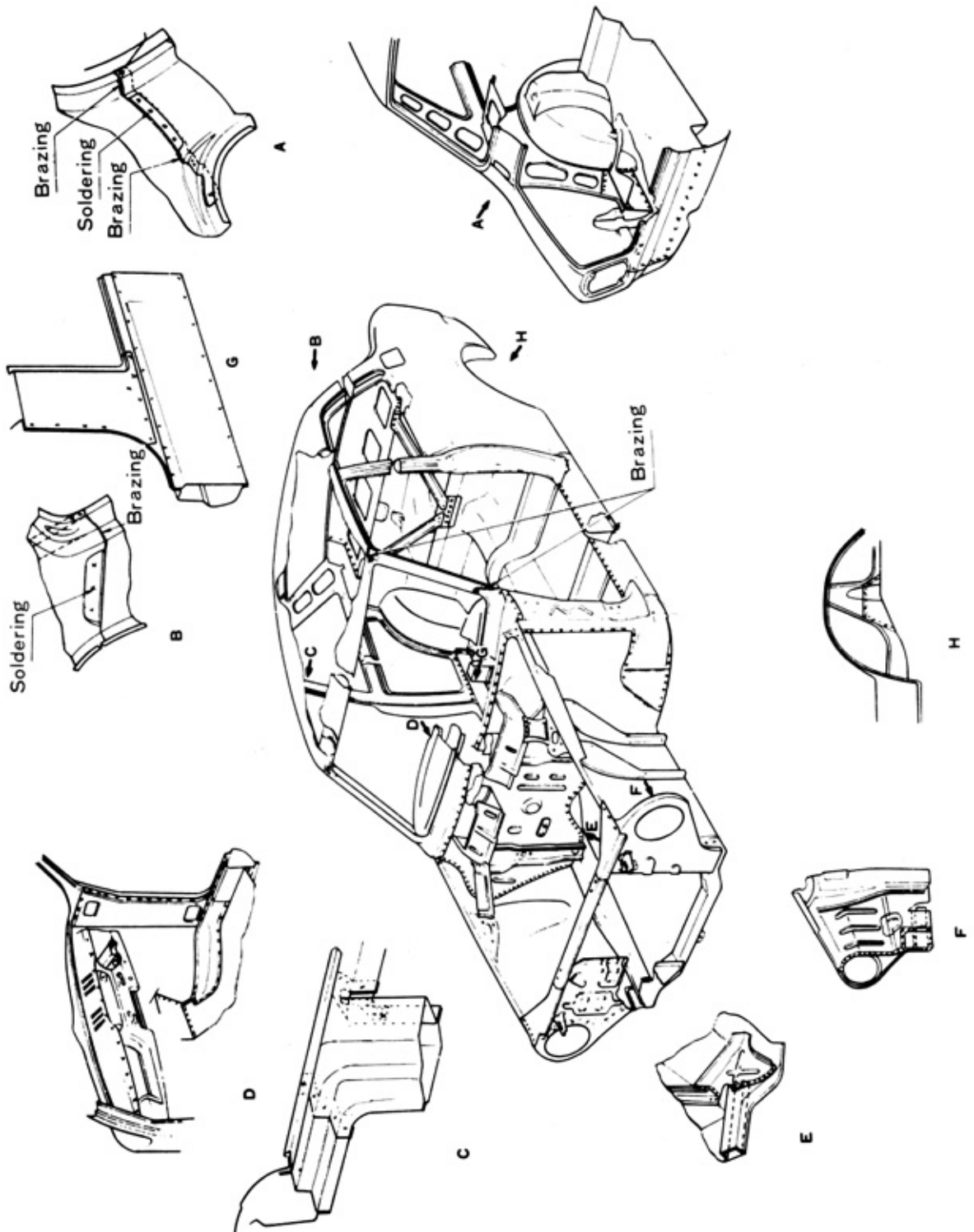


Fig.1-108 Main Body Welding

TOYOTA COROLLA 4 DOOR SEDAN

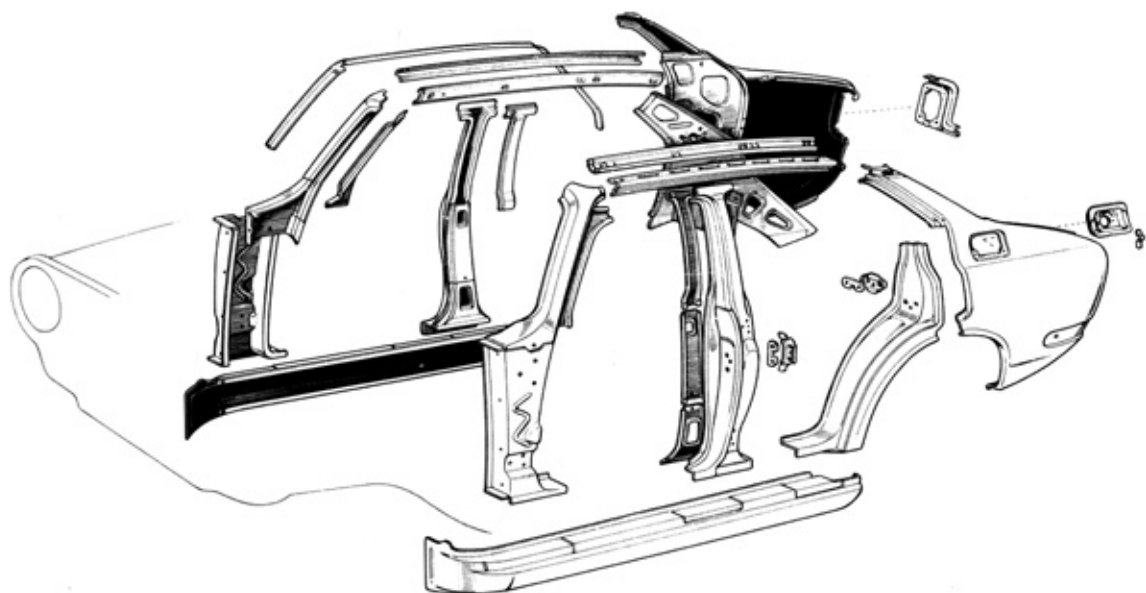
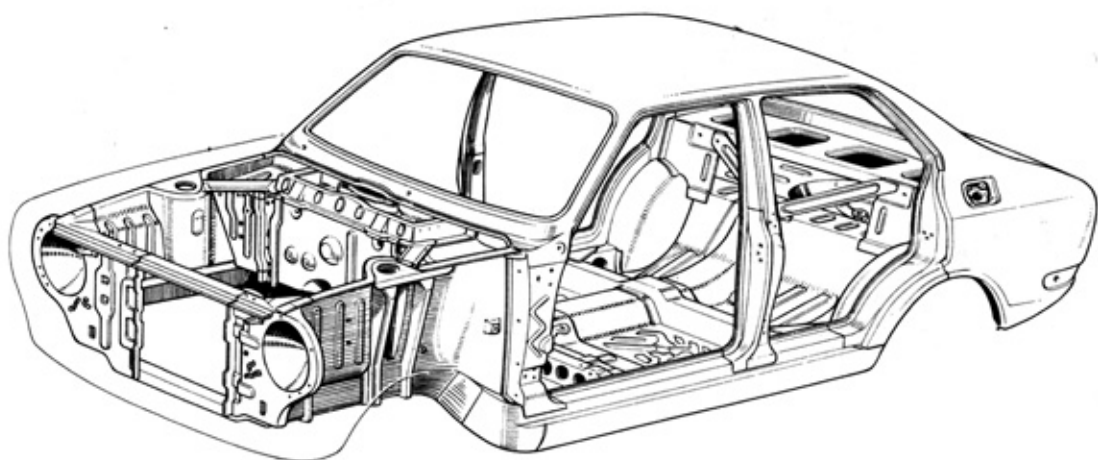
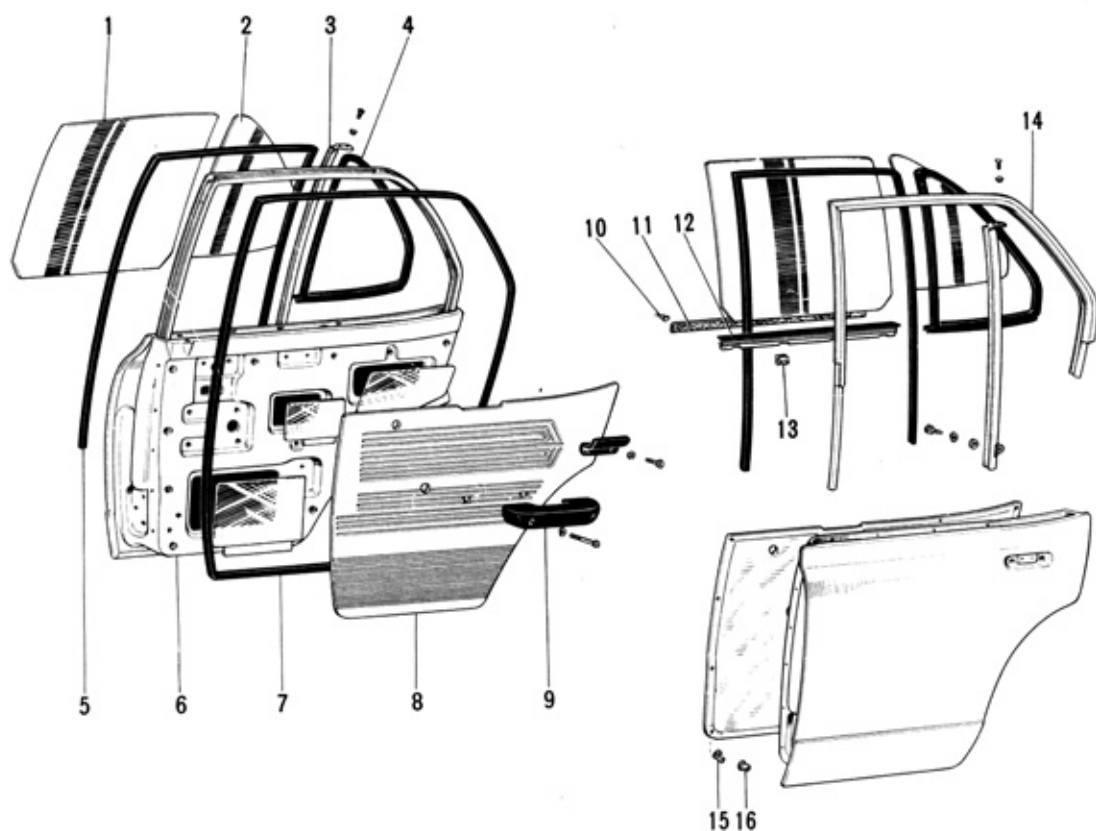


Fig.1-109 Body Construction

Y5487
Y5488

REAR DOOR

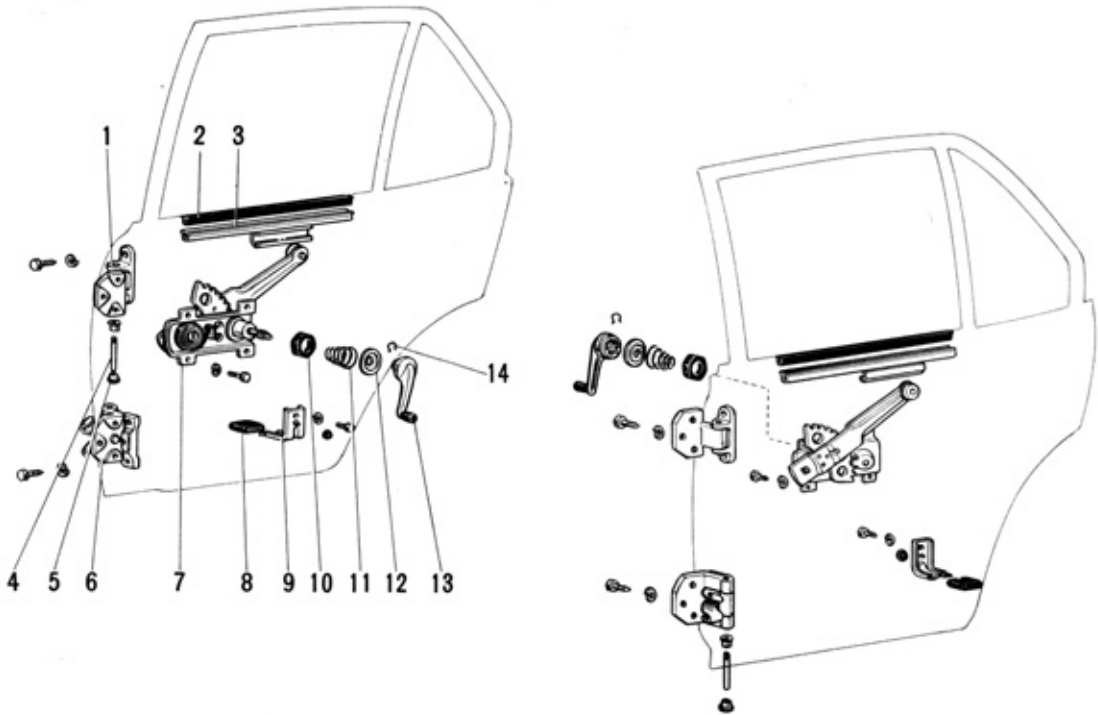


- | | |
|--|--|
| 1. Rear door glass | 10. Clip |
| 2. Rear door quarter window glass | 11. Rear door glass inner weatherstrip |
| 3. Rear door window division bar | 12. Rear door glass outer weatherstrip |
| 4. Rear door quarter window weatherstrip | 13. Door glass weatherstrip clip |
| 5. Rear door glass run | 14. Rear door window frame |
| 6. Rear door panel | 15. Door trim retainer |
| 7. Rear door weatherstrip | 16. Door trim retainer cap |
| 8. Rear door trim panel | |
| 9. Door arm rest | |

Fig.1-110 Rear Door Components

Y5489

REAR WINDOW REGULATOR



- | | |
|--|--|
| <ol style="list-style-type: none"> 1. Rear door upper hinge 2. Rear door glass channel weatherstrip 3. Rear door glass channel 4. W/serration pin 5. Bushing 6. Rear door lower hinge 7. Rear door window regulator | <ol style="list-style-type: none"> 8. Ring 9. Door glass stopper 10. Window regulator hole seal 11. Conical spring 12. Door window regulator and inside handle plate 13. Door window regulator handle 14. Shaft snap ring |
|--|--|

Fig.1-111 Rear Window Regulator Components Y5490

Removal

1. Remove the door inside handle and door window regulator handle with the Handle Shaft Snap Ring Remover 09801-30010.
2. Remove the door arm rest.
3. Remove the door trim panel with a screwdriver, and remove the hole cover. Do not tear the hole cover. (Fig.1-113)

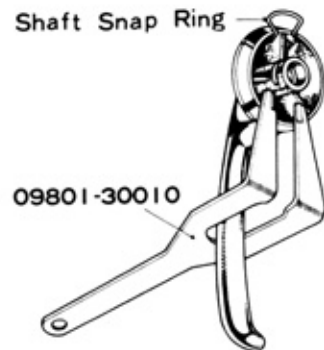


Fig.1-112 Inside Handle Removal G0751

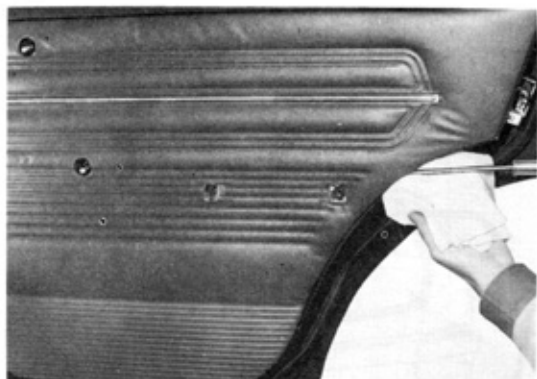


Fig.1-113 Door Trim Panel V3059 Removal

4. Raise the glass, and secure it to prevent it from lowering.
5. Remove the regulator attaching bolts, and lower the regulator with the regulator attaching portion faced to the bottom side of the door.
Disconnect the regulator roller from the door glass channel, and remove the regulator.

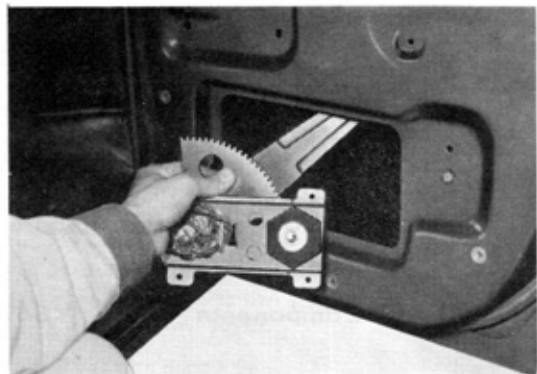


Fig.1-114 Window Regulator V3060 Removal

Installation

Refer to the Installation of Rear Door Glass and Quarter Window Glass.

REAR DOOR GLASS AND QUARTER WINDOW GLASS

Removal

1. Remove the door window regulator.
2. Remove the glass stopper.

3. Remove the division bar attaching bolt and screws.

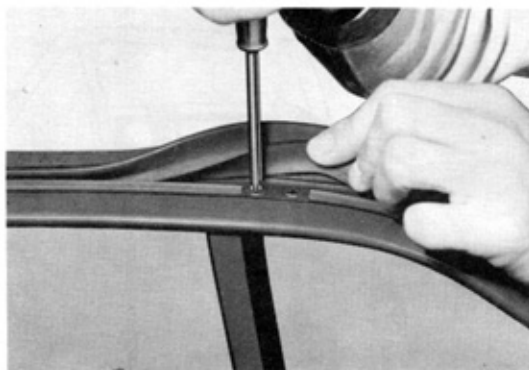


Fig.1-115 Screw Removal V3061

4. Pull out the division bar slightly pulling it frontward lightly. In this case, remove the door glass run partially.

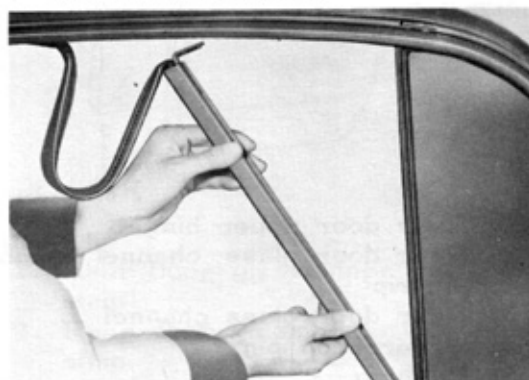


Fig.1-116 Division Bar V3062 Removal

5. Lower the window glass completely, and remove the door glass inner weatherstrip with a screwdriver.
6. Remove the door glass outer weatherstrip with a flat-formed tool. In this case, attach a waste on the door to prevent the door from scoring.
7. Remove the division bar.
8. Remove the door glass, and remove the quarter window glass. When the quarter window glass is not removed easily, coat soap and water around the weatherstrip.

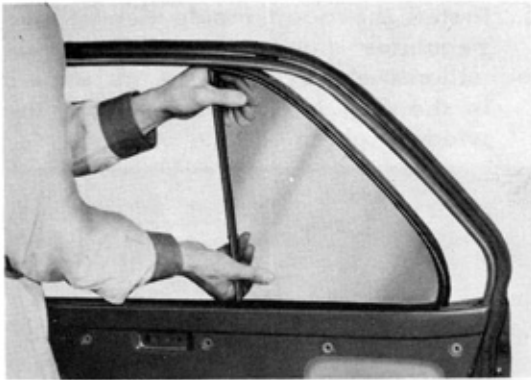


Fig.1-117 Quarter Window V3063 Glass Removal

Quarter Window Glass and Quarter Window Weatherstrip Replacement

Replace the quarter window glass and quarter window weatherstrip by removing the quarter window weatherstrip from the glass.

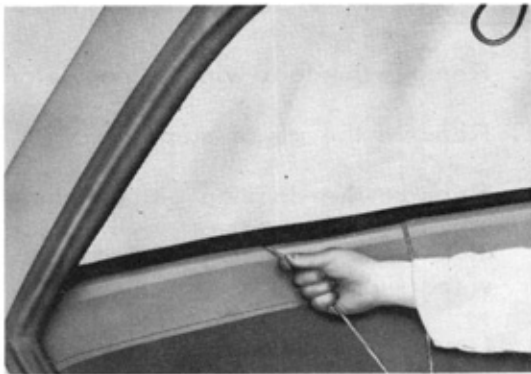


Fig.1-118 Glass and Weath- V3064 erstrip Replacement

Installation

1. Install the quarter window glass assembly onto the door frame. Coat soap and water around the quarter window weatherstrip to facilitate the procedure. Fig.1-119.
2. Insert the door glass into the door.
3. Install the glass run onto the division bar.
4. Insert the division bar into the door fitting the division bar to the

glass. Incline the division bar frontward to facilitate installation of the door glass inner weatherstrip (Fig.1-120).

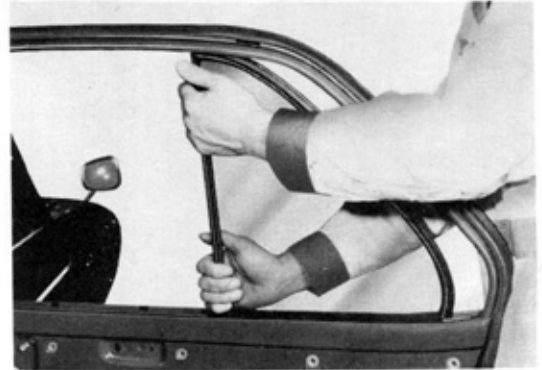


Fig.1-119 Quarter Window V3065 Glass Installation

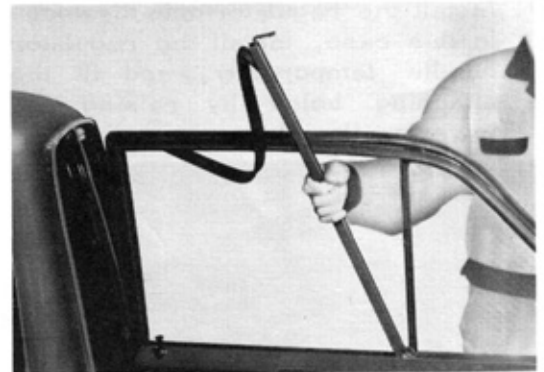


Fig.1-120 Division Bar V3066 Installation

5. Lower the door glass completely, and install the door glass inner weatherstrip by fitting the clips onto the attaching holes and pushing the door glass inner weatherstrip with a hand.
6. Install the quarter window weatherstrip onto the door division bar, and install the division bar onto the door by tightening the two attaching screws.
7. Install the door glass outer weatherstrip (Fig.1-121).
8. Secure the door glass halfway.
9. Install the hole seal onto the window regulator and insert the regulator

into the door. Next, insert the regulator roller into the glass channel.



Fig.1-121 Door Glass Outer V3067 Weatherstrip Installation

15. Install the door inside handle and regulator handle so that the locations of them will be as shown in the Fig.1-123 when raising the window glass all the way.



Fig.1-123 Door Handle V3069 Location

10. Install the regulator onto the door. In this case, install the regulator handle temporarily, and fit the attaching holes by raising and lowering the glass.



Fig.1-122 Window Regulator V3068 Installation

DOOR GLASS WEATHERSTRIP

Removal

1. Remove the door window regulator.
 2. Remove the glass stopper.
 3. Remove the division bar attaching bolt and screws, and pull out the division bar slightly pulling it forward lightly.
 4. Lower the window glass completely, and remove the door glass inner weatherstrip and outer weatherstrip.
11. Install the door glass stopper.
 12. Install the division bar attaching bolt.
 13. Attach the service hole cover.
 14. Install the trim panel and arm rest. The larger diameter of the conical spring should be positioned at the trim panel side.

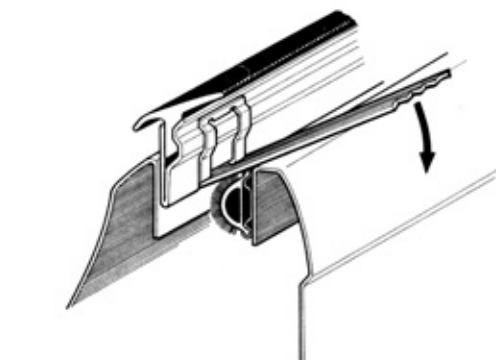


Fig.1-124 Outer Weatherstrip G0752 Removal

Installation

Follow the removal procedures in the reverse order.

DOOR LOCK

Removal

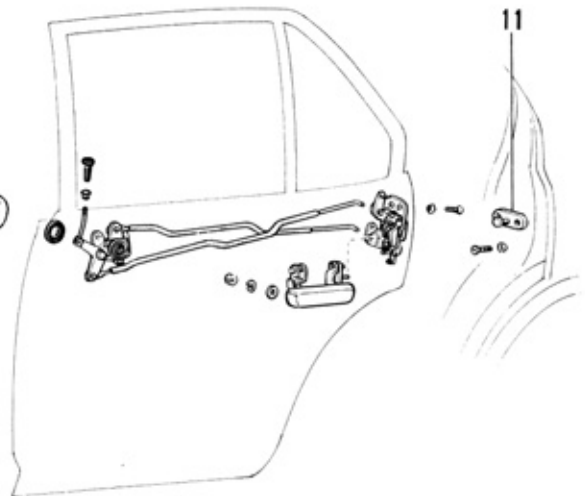
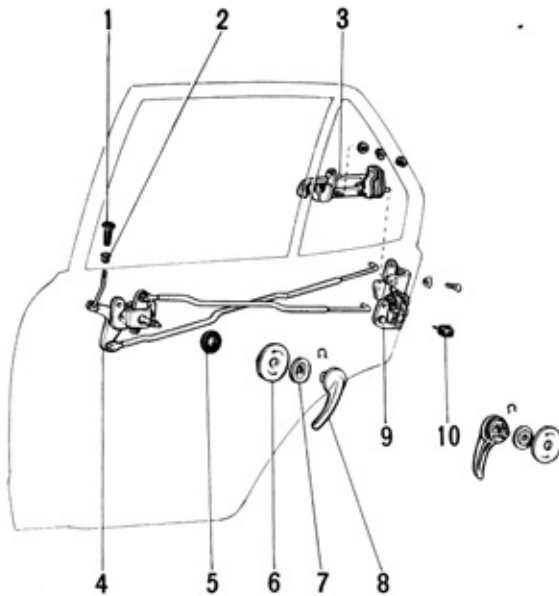
1. Remove the door trim panel and remove the service hole cover.
2. Raise the door glass completely, and disconnect the remote control link from the door lock.
3. Remove the three attaching screws and remove the door lock (Fig. 1-125).



Fig.1-125 Door Lock V3070
Removal

Installation

Follow the removal procedures in the reverse order.



- | | |
|---|---|
| <ol style="list-style-type: none"> 1. Rear door locking remote control push button 2. Grommet 3. Rear door outside handle 4. Rear door locking remote control and link 5. Gasket | <ol style="list-style-type: none"> 6. Door inside handle caution plate 7. Door window regulator and inside handle plate 8. Door inside handle 9. Rear door lock 10. Door lock cushion 11. Door lock striker plate |
|---|---|

Fig.1-126 Door Lock Components

DOOR LOCK REMOTE CONTROL

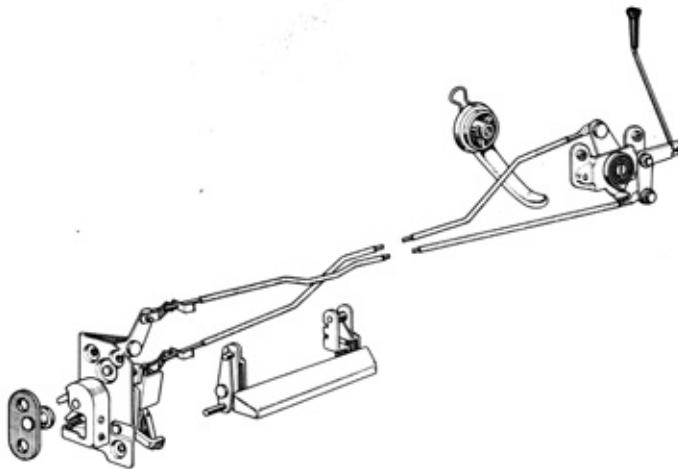


Fig.1-127 Door Lock

Y5491

Removal

1. Remove the remote control push button.
2. Remove the door trim panel, and remove the service hole cover.
3. Raise door glass completely, and remove the remote control link and two attaching bolts.



Fig.1-128 Door Lock V3071
Remote Control Removal

Installation

Follow the removal procedures in the reverse order.

DOOR OUTSIDE HANDLE

Removal

1. Remove the door trim panel, and remove the service hole cover.
2. Raise the door glass completely, and disconnect the opening remote control link.
3. Remove the outside handle attaching nuts (1).

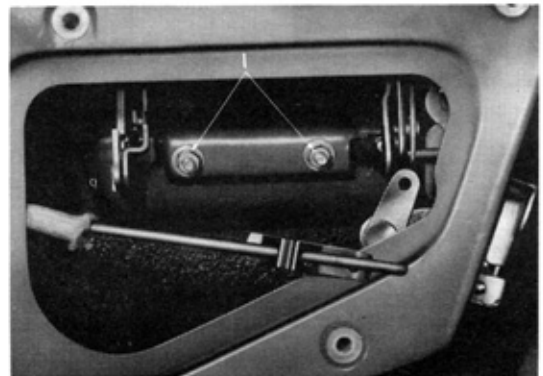


Fig.1-129 Outside Handle V3072
Removal

4. Remove the outside handle.

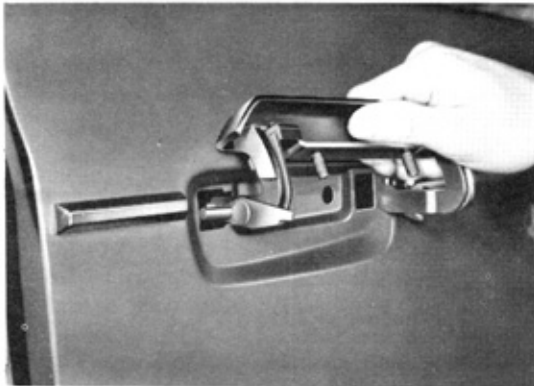


Fig.1-130 Outside Handle V3073
Removal

DOOR, DOOR HINGE.

Inspection & Adjustment

1. If some play is present in the axial or vertical direction of the door hinge, tighten the hinge attaching bolts. If a little play is still present, replace the bushing and pin of the door hinge.
2. To adjust the door for up-and-down, and to-and-fro position, loosen the hinge attaching bolts on the pillar side.

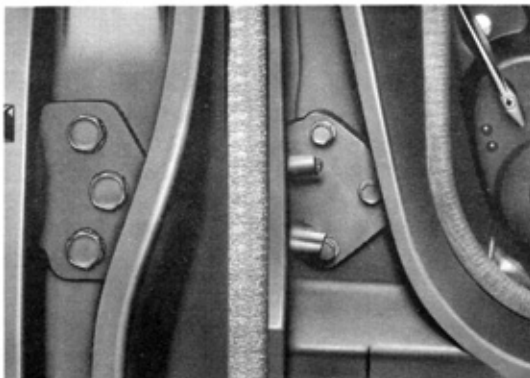


Fig.1-131 Hinge Adjustment V3074
on the Pillar Side V3075

3. To adjust the door for right-and-left, and up-and-down position, loosen the hinge attaching bolts on the door side (Fig.1-132).

4. Adjust the door for closing by moving the striker as required.

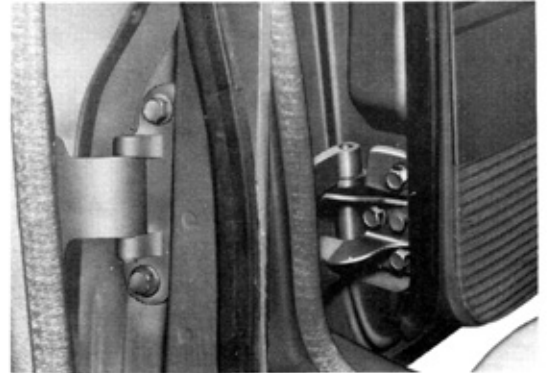


Fig.1-132 Hinge Adjustment V3076
on the Door Side V3077

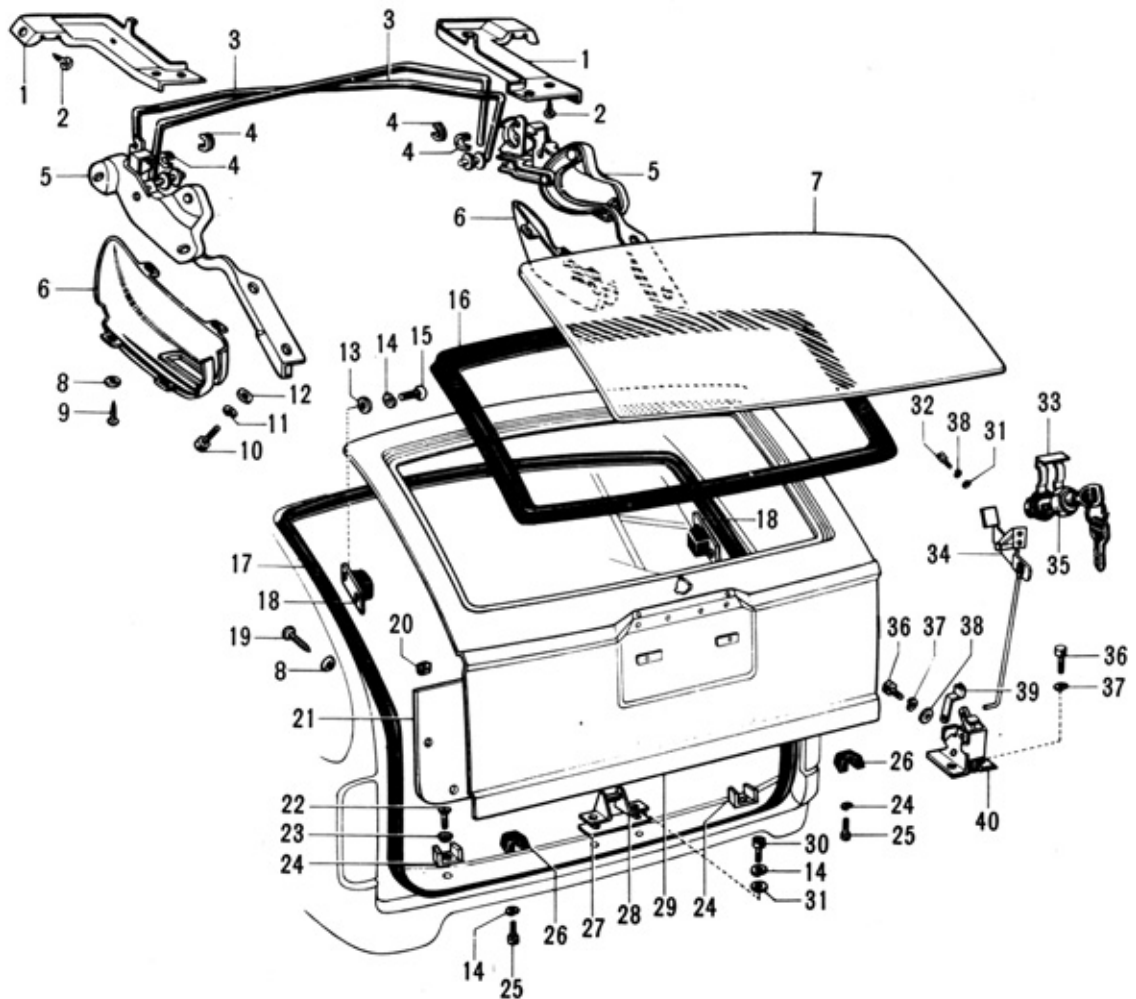
Removal

Support the door with a jack, and remove the hinge attaching bolts, and remove the door.

Installation

Follow the removal procedures in the reverse order.

BACK DOOR



- | | |
|-----------------------------------|---|
| 1. Back door hinge cover retainer | 21. Back door trim board |
| 2. Screw | 22. Screw |
| 3. Torsion bar | 23. Washer |
| 4. Torsion bar support collar | 24. Back door side female lower stopper |
| 5. Back door hinge | 25. Bolt |
| 6. Back door hinge cover | 26. Back door side male lower stopper |
| 7. Back door glass | 27. Back door lock striker shim |
| 8. Washer | 28. Back door lock striker |
| 9. Screw | 29. Back door panel |
| 10. Bolt | 30. Bolt |
| 11. Washer | 31. Washer |
| 12. Washer | 32. Screw |
| 13. Washer | 33. Lock cylinder retainer |
| 14. Washer | 34. Back door lock control link |
| 15. Screw | 35. Back door lock cylinder and key set |
| 16. Back door glass weatherstrip | 36. Bolt |
| 17. Back door weatherstrip | 37. Washer |
| 18. Back door side male stopper | 38. Washer |
| 19. Screw | 39. Back door lock control link snap |
| 20. Nut | 40. Back door lock |

Fig.1-133 Back Door Components

Removal

1. Open the back door, and disconnect the license plate light wiring. Remove the back door and hinge arm tightening bolts, and remove the back door.
2. Remove the back door hinge cover attaching screws, and remove the hinge cover.
3. Remove the roof headlining trim.
4. Remove the roof headlining, and remove the back door hinge cover retainer.
5. Remove the torsion spring with the Back Door Torsion Spring Tool 09804-20010.



Fig.1-134 Torsion Spring V3078 Removal

6. Remove the back door hinge bracket attaching bolts, and remove the back door hinge.



Fig.1-135 Hinge Removal V3079

Installation

Follow the removal procedures in the reverse order. Before following the procedures (4), (3), (2) adjust the back door.

Adjustment

1. To adjust the back door for to-and-fro position, loosen the back door hinge tightening bolts on the body side.
2. To adjust the back door for up-and-down position, loosen the back door hinge tightening bolts on the back door side.
3. Adjust the back door for closing, by moving the back door lock striker, or increasing or decreasing the shims.

BACK DOOR SIDE STOPPER

Lower Side Adjustment

1. Loosen the female lower stopper (1) adjusting screws.
2. Close the back door and position the female lower stopper against the male lower stopper (2) from the inside as shown in Fig.1-136, and mark the position of the female lower stopper (a).

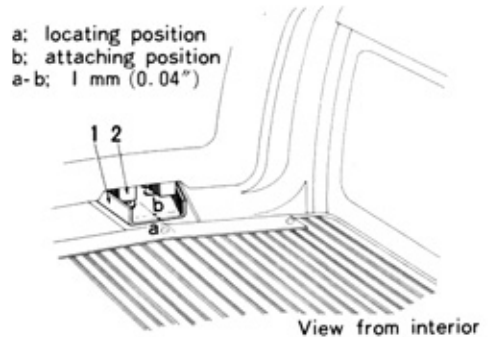


Fig.1-136 Back Door Side G0753 Stopper Adjustment

3. Open the back door, and move the female lower stopper rearward by 1 mm (0.04") from the marked position (a). Then tighten the screws.

Upper Side Adjustment

Mark the position in the same manner as the lower side. Open the back door and move it rearward by 3.5 mm (0.14") from the marked position, and the side male stopper (3) will be squeezed 1 mm (0.04"). Tighten the screws under this condition.

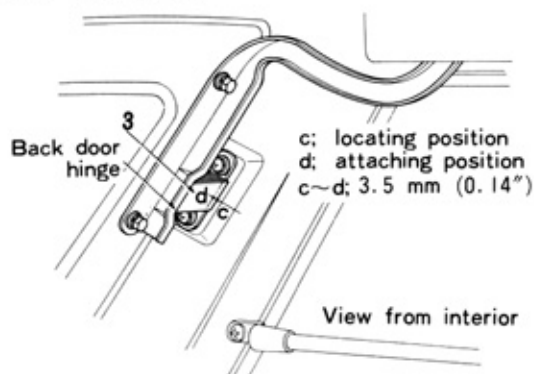


Fig.1-137 Back Door Side G0754 Stopper Adjustment

BACK DOOR LOCK

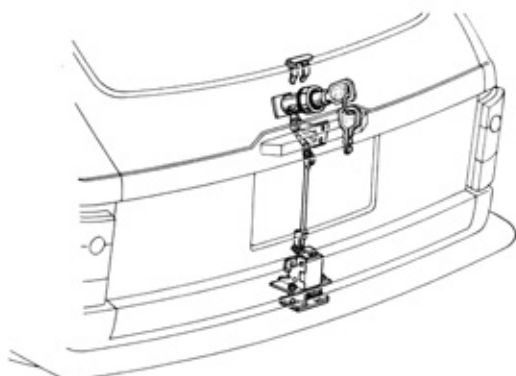


Fig.1-138 Back Door Lock Y5497

Removal

1. Remove the back door trim board.
2. Disconnect the back door lock control link, and remove the back

door lock assembly.

3. Remove the two attaching bolts, and remove the back door lock control link assembly.
4. Remove the lock cylinder retainer, and remove the lock cylinder assembly.

Installation

Follow the removal procedures in the reverse order.

BACK DOOR GLASS

Removal

1. Remove the back door window moulding.
2. Tear the weatherstrip cemented surface from the body with a screwdriver.



Fig.1-139 Glass Removal V3082

3. Drive out the weatherstrip with a suitable tool from the inside of the vehicle while pushing the back door glass.
4. Remove the back door glass with the weatherstrip.

Installation

Before installing the back door glass, clean off the old adhesive cement around the glass and body thoroughly.

1. Install the weatherstrip onto the back door glass.
2. Insert the cord around the weatherstrip. Overlap the cord at the center portion of the glass.

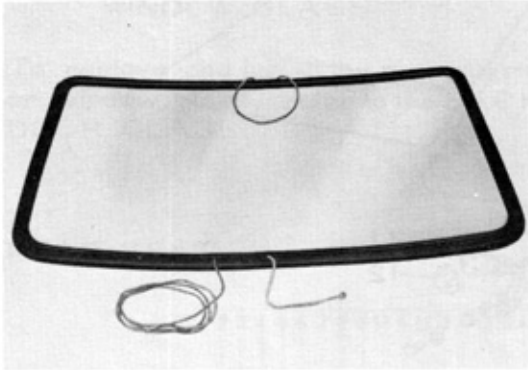


Fig.1-140 Cord Installation V3083

3. Position the glass onto the body properly, and place the cord ends inside the body. To facilitate the procedure, apply water and soap lightly onto the body and weatherstrip.



Fig.1-141 Glass Installation V3084

4. Pull the cord from the inside while lapping the outside of the glass lightly with a hand in accordance with the movement of the cord pulled.

In this case, the installation of the glass should be made from the bottom center portion of the glass.

5. Apply adhesive cement between the weatherstrip and the body, and between the weatherstrip and glass.

To facilitate cleaning after applying the cement, attach a suitable tape onto the glass and body.

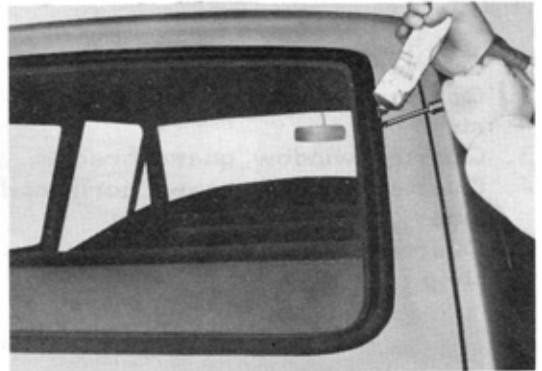
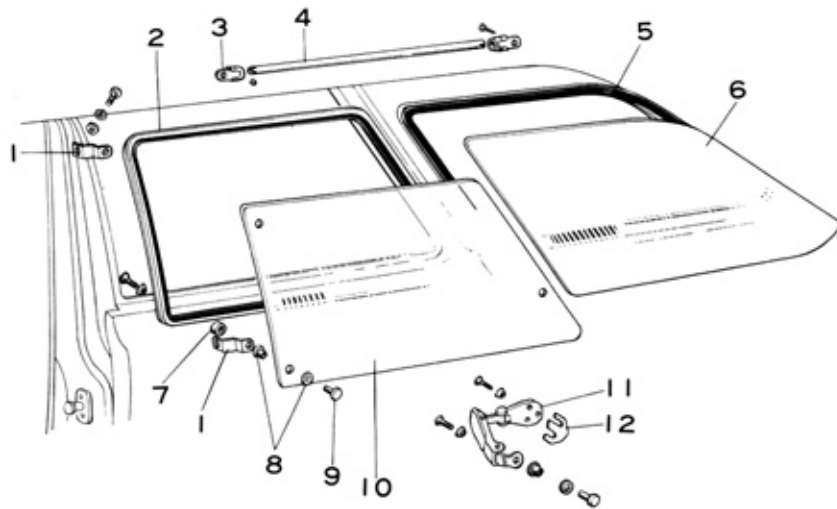


Fig.1-142 Applying Adhesive V3086 Cement

6. Clean off the excessive adhesive cement together with the tape.
7. Install the backdoor window moulding.

* * * * *

QUARTER WINDOW



- | | |
|---|--|
| 1. Quarter window hinge plate | 6. Quarter window rear glass |
| 2. Quarter window front weather-strip | 7. Quarter hinge finish plate |
| 3. Quarter window guard bracket | 8. Quarter window hinge packing |
| 4. Quarter window guard horizontal tube | 9. Quarter window hinge retainer |
| 5. Quarter window rear weather-strip | 10. Quarter window front glass |
| | 11. Quarter window lock |
| | 12. Quarter window lock support spacer |

Fig.1-143 Quarter Window Components

Y5493

FRONT QUARTER WINDOW GLASS

Removal

1. Remove the quarter window lock attaching screws and quarter window hinge plate attaching screws, and remove the quarter window glass.

Glass Replacement

Remove the quarter window lock and quarter window hinge plate from the quarter window. To install, follow the removal procedures in the reverse order.



Fig.1-144 Glass Removal V3087

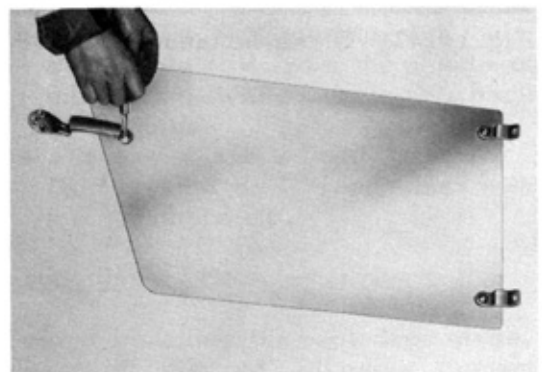


Fig.1-145 Glass Replacement V3088

Installation

Follow the removal procedures in the reverse order.

REAR QUARTER WINDOW GLASS

To remove and install the rear quarter window glass, refer to the **BACK DOOR GLASS**.

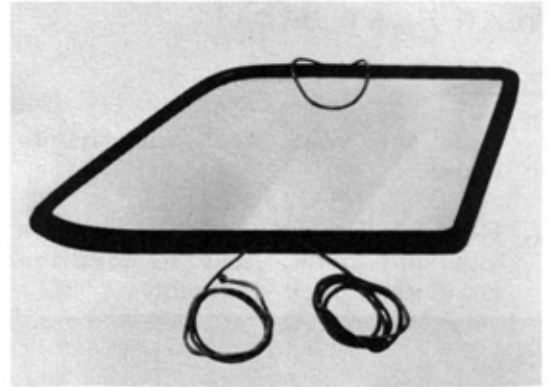
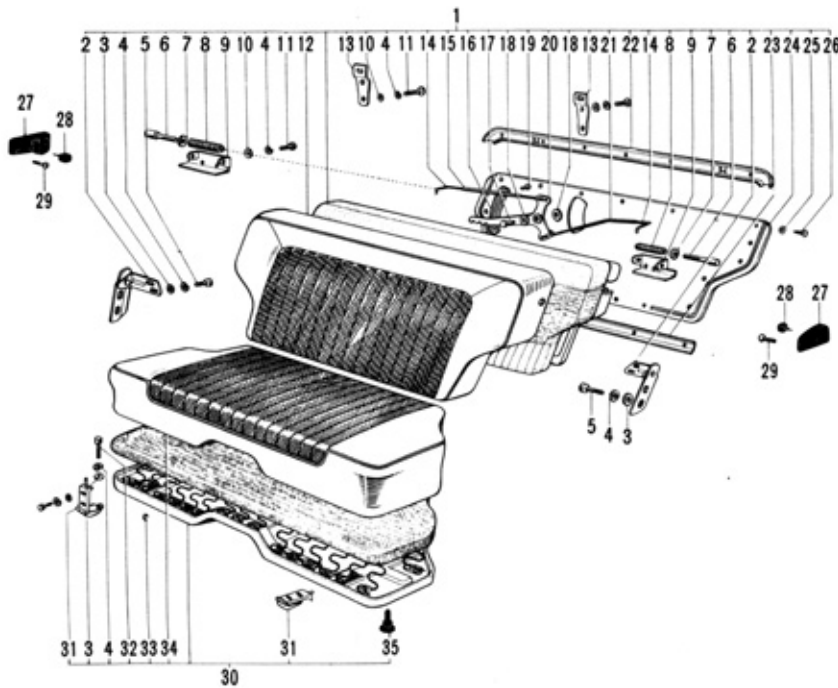


Fig.1-146 Glass Installation V3089

REAR SEAT



- | | |
|--------------------------------------|--|
| 1. Rear seat back | 19. Rivet |
| 2. Rear seat back hinge | 20. Rear seat back rod control lever |
| 3. Washer | 21. Hose |
| 4. Washer | 22. Rear seat back mat support upper plate |
| 5. Bolt | 23. Rear seat back mat support lower plate |
| 6. Rear seat back locking rod | 24. Rear seat back panel mat |
| 7. Washer | 25. Washer |
| 8. Spring | 26. Screw |
| 9. Rear seat back stop bracket | 27. Rear seat back stop |
| 10. Washer | 28. Cushion |
| 11. Screw | 29. Screw |
| 12. Rear seat back cover | 30. Rear seat cushion |
| 13. Rear seat back holder | 31. Rear seat cushion hinge |
| 14. Rear seat back control wire | 32. Bolt |
| 15. Hose | 33. Small hog ring |
| 16. Control lever guide | 34. Rear seat cushion cover |
| 17. Rear seat back control lever pin | 35. Cushion |
| 18. Washer | |

Fig.1-147 Rear Seat Components

REAR SEAT BACK

Removal

1. Fold the rear seat back forward.
2. Remove the rear seat back hinge attaching bolts, and remove the rear seat back assembly.



Fig.1-148 Rear Seat Back Removal V3090

Disassembly

1. Remove the rear seat back cover from the rear seat back panel.

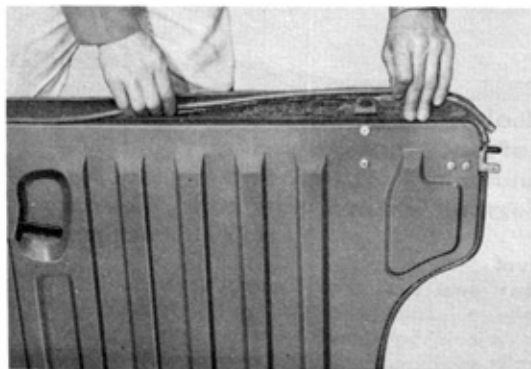


Fig.1-149 Back Cover Removal V3091

2. Remove the rear seat back spring from the rear seat back panel with a screwdriver.
3. Remove the rear seat back stop bracket attaching screws, and remove the rear seat back stop bracket from the rear seat back control wire.
4. Release the caulking of the rear seat back control lever pin with a drill, and remove the rear seat back rod control lever.
5. Remove the rear seat back control wire.

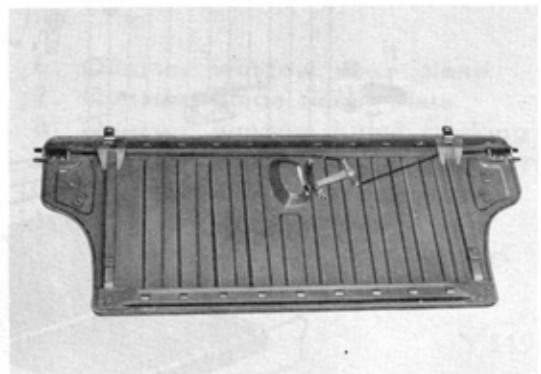


Fig.1-150 Rear Seat Back Panel Mat V3092

Assembly & Installation

Reverse the disassembly and removal procedures in the reverse order.

Adjustment

To adjust the rear seat back, loosen the rear seat back stop bracket attaching screws.